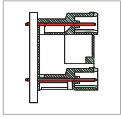


# ME240 Male Connector, Double Level Header



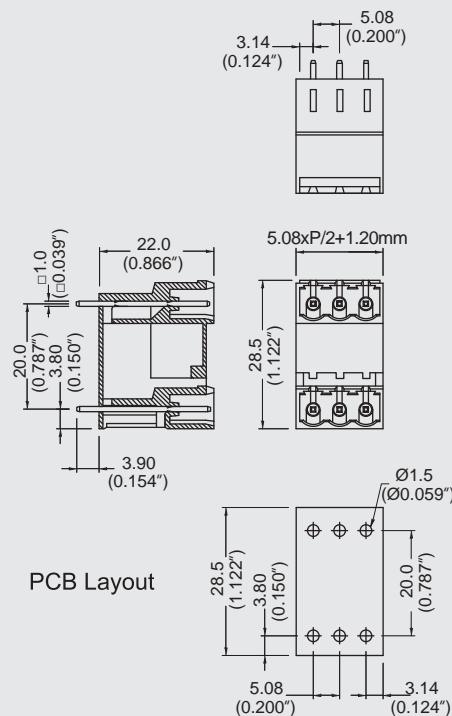
## DIMENSIONS/POSITIONS

## ME240-508

間距	Pitch	5.08mm
位數	Poles	4 ~ 48Poles
塑膠本體	Housing Material	PA 66
焊針	Pin Dimensions	Brass, Tin Plated
PCB孔徑	PCB Hole Diameter	1.5mm
環境作業溫度	Operating Temperature	-40°C to +105°C

## TECHNICAL DATA

連接符合標準 Connection in acc. with standard EN-VDE		
額定電流 I <sub>n</sub>	Nominal Current I <sub>n</sub>	12A
額定橫截面	Nominal Cross Section	-
最大負載電流	Maximum load current	12A
絕緣材料	Insulating Material	PA
阻燃等級,符合UL94 Inflammability class acc. to UL94		V0
額定電壓,UL/CUL Nominal voltage, UL/CUL		300V
額定電流,UL/CUL Nominal current, UL/CUL		16A



ME