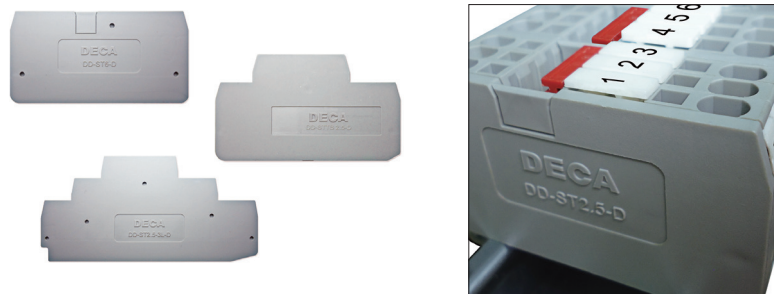


Accessories 配件

End Plate

End Plate

- To enclose terminal blocks.



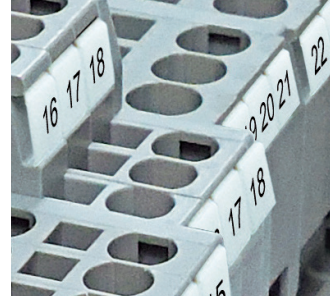
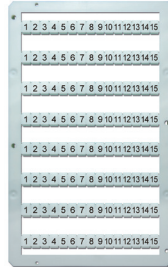
Type	DD-ST2.5-D	DD-ST2.5/3-D	DD-ST2.5/4-D	DD-ST4-D	DD-ST4/3-D	DD-ST4/4-D	DD-ST6-D
Terminal Block Model	DST1.5-D DST1.5-PE-D DST2.5-D DST2.5-PE-D DST2.5/1P-D DST2.5/1P-PE-D	DST1.5/3-D DST2.5/3-D DST2.5/3-PE-D DST2.5-MT-D	DST1.5/4-D DST2.5/4-D DST2.5/4-PE-D	DST4-D DST4-PE-D	DST4/3-D DST4/3-PE-D DST4-MT-D	DST4/4-D DST4/4-PE-D	DST6-D DST6-PE-D
Type	DD-ST6/3-D	DD-ST10-D	DD-ST10/3-D	DD-ST16-D	DD-ST16/3-D	DD-STTB2.5-D	DD-STTB2.5/3-D
Terminal Block Model	DST6/3-D DST6/3-PE-D	DST10-D DST10-PE-D	DST10/3-D DST10/3-PE-D	DST16-D DST16-PE-D	DST16/3-D DST16/3-PE-D	DSTTB2.5-D DSTTB2.5-PE-D	DSTTB2.5/3-D
Type	DD-ST2.5-3L-D	DD-STTB4-D	DD-PT1.5-D	DD-PT1.5/3-D	DD-PT1.5/4-D	DD-PT2.5-D	DD-PT2.5/3-D
Terminal Block Model	DST2.5-3L-D	DSTTB4-D	DPT1.5 DPT1.5-PE	DPT1.5/3 DPT1.5/3-PE	DPT1.5/4 DPT1.5/4-PE	DPT2.5 DPT2.5-PE	DPT2.5/3 DPT2.5/3-PE
Type	DD-PT2.5/4-D	DD-PT4/3-D	DD-PT4/4-D	DD-PT6-D	DD-PT6/3-D	DD-PT6/4-D	DD-PT10-D
Terminal Block Model	DPT2.5/4 DPT2.5/4-PE	DPT4/3 DPT4/3-PE	DPT4/4 DPT4/4-PE	DPT6 DPT6-PE	DPT6/3 DPT6/3-PE	DPT6/4 DPT6/4-PE	DPT10 DPT10-PE
Type	DD-PT10/3-D	DD-PTN16-D	DD-PTN16/3-D	DD-PTO2.5-D	DD-PTO2.5/3-D	DD-PTO2.5/4-D	DD-PTO4-D
Terminal Block Model	DPT10/3 DPT10/3-PE	DPTN16 DPTN16-PE	PTN16/3 DPTN16/3-PE	DPTO2.5 DPTO2.5-PE	DPTO2.5/3 DPTO2.5/3-PE	DPTO2.5/4 DPTO2.5/4-PE	DPTO4 DPTO4-PE
Type	DD-PTO4/3-D	DD-PTO4/4-D	DD-PTTB02.5-D	DD-PTO2.5-3L-D	DD-PTOIO2.5-S-3-D	DD-PTTB04-D	
Terminal Block Model	DPTO4/3 DPTO4/3-PE	DPTO4/4 DPTO4/4-PE	DPTTB02.5 DPTTB02.5-PE	DPTO2.5-3L DPTO2.5-3L-PE	DPTOIO2.5-S-3	DPTTB04 DPTTB04-PE	

Accessories 配件

Marking Tags

Marking Tags

- Easy installation & disassembly.
- Providing printing of various kinds of font.
- Firm printing (not easily falling off).
- Blank marking tags for marking by customer.
- Various kinds of specification upon request.



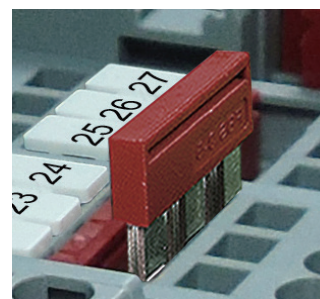
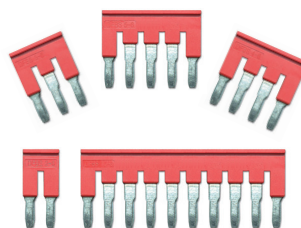
Type Terminal Block Model	DUC-TMF3.5	DUC-TMF4	DUC-TMF5	DUC-TMF6	DUC-TMF8	DUC-TMF10
DPT1.5 SERIES	•					
DST1.5 SERIES	•	•				
DST2.5 & DPT2.5 & DPTO2.5 SERIES	•	•	•			
DST4 & DPT4 & DPTO4 SERIES	•	•	•	•		
DST6 & DPT6 SERIES	•	•	•	•	•	
DST10 & DPT10 SERIES	•	•	•	•	•	•
DST16 & DPTN16 SERIES	•	•	•	•	•	•
DPTN35 SERIES	•	•	•	•	•	•
Type Terminal Block Model	DUC-TMF12	DUC-TMF16	DUC-TM3.5	DUC-TM4	DUC-TM5	DUC-TM6
DPT1.5 SERIES			•			
DST1.5 SERIES			•	•		
DST2.5 & DPT2.5 & DPTO2.5 SERIES			•	•	•	
DST4 & DPT4 & DPTO4 SERIES			•	•	•	•
DST6 & DPT6 SERIES			•	•	•	•
DST10 & DPT10 SERIES			•	•	•	•
DST16 & DPT16N SERIES	•		•	•	•	•
DPT35 SERIES	•	•	•	•	•	•
Type Terminal Block Model	DUC-TM8	DUC-TM10	DUC-TM12	DUC-TM16		
DPT1.5 SERIES						
DST1.5 SERIES						
DST2.5 & DPT2.5 & DPTO2.5 SERIES						
DST4 & DPT4 & DPTO4 SERIES						
DST6 & DPT6 SERIES	•					
DST10 & DPT10 SERIES	•	•				
DST16 & DPTN16 SERIES	•	•	•			
DPTN35 SERIES	•	•	•	•		

Accessories 配件

Comb Link

Comb Link

- Are used for external cross connecting terminal blocks.
- The links are insulated for shock proof.



Type				
Terminal Block Model	ODFBS2-3.5 ODFBS3-3.5 ODFBS4-3.5 ODFBS5-3.5 ODFBS10-3.5	ODFBS2-4 ODFBS3-4 ODFBS4-4 ODFBS5-4 ODFBS10-4	ODFBS2-5 ODFBS3-5 ODFBS4-5 ODFBS5-5 ODFBS10-5	ODFBS2-6 ODFBS3-6 ODFBS4-6 ODFBS5-6 ODFBS10-6
DPT1.5 SERIES	•			
DST1.5 SERIES		•		
DST2.5 & DPT2.5 SERIES			•	
DST4 & DPT4 SERIES				•
Type				
Terminal Block Model	ODFBS2-8 ODFBS3-8 ODFBS4-8 ODFBS5-8 ODFBS10-8	ODFBS2-10 ODFBS5-10	ODFBS2-12	ODFBS2-16
DST6 & DPT6 SERIES	•			
DST10 & DPT10 SERIES		•		
DST16 & DPTN16 SERIES			•	
DPTN35 SERIES				•
Type				
Terminal Block Model	ODFBSO2-5 ODFBSO3-5 ODFBSO4-5 ODFBSO5-5 ODFBSO10-5	ODFBSO2-6 ODFBSO3-6 ODFBSO4-6 ODFBSO5-6 ODFBSO10-6		
DPTO2.5 SERIES	•			
DPTO4 SERIES		•		

Orbit Cuts off Utensil 軌道切斷器

Characteristic

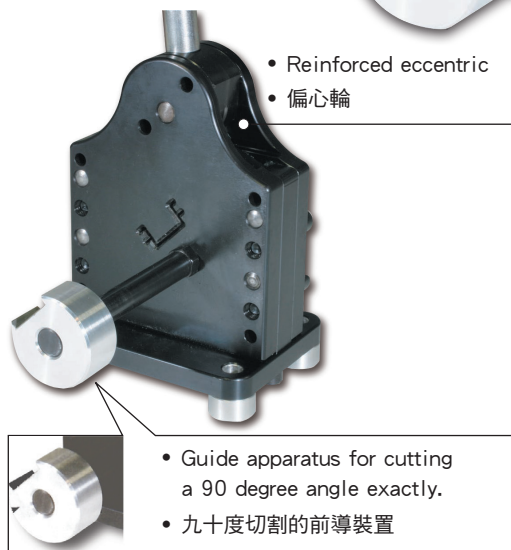
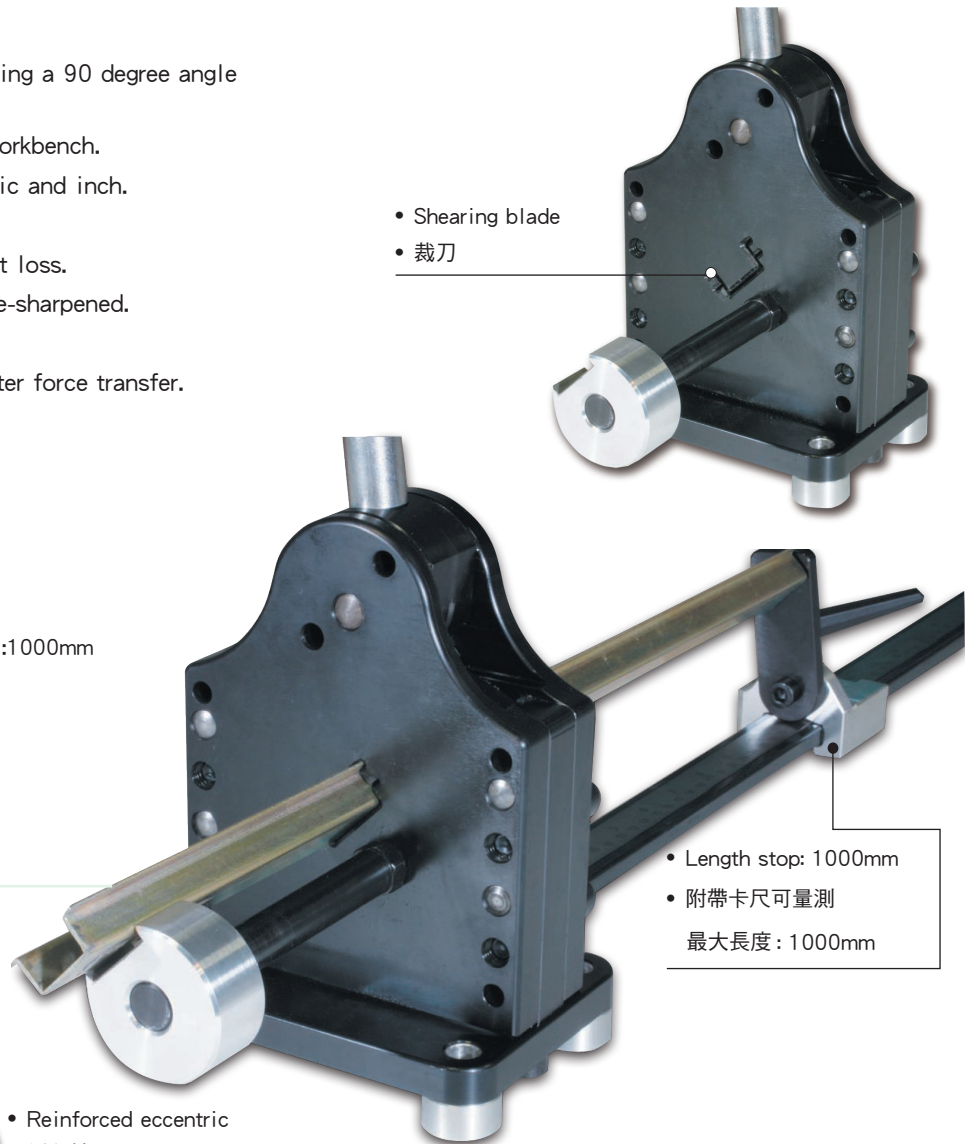
Characteristic

- Guide apparatus for cutting a 90 degree angle exactly.
- Easy assembly on the workbench.
- Measure alignment metric and inch.
- Length stop: 1000mm.
- Burr-free cutting without loss.
- Shearing blade can be re-sharpened.
- Maintenance free.
- Labor saving due to better force transfer.

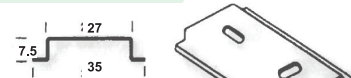
軌道切斷器 / 特性

- 九十度切割的前導裝置
- 易組裝於工作木台上
- 以公制及英制作量測校準
- 附帶卡尺可量測最大長度 :1000mm
- 無耗材的切割方式
- 裁刀可重覆研磨
- 免費維修
- 絕佳的省力切割方式

TSCU



Carrier rails



- Carrier rail 35mm / 7.5
ACC. to EN 50022
- 軌道寬度 35mm / 高度 7.5mm
符合 EN 50022 之標準



- Carrier rail 35mm / 15
ACC. to EN 50022
- 軌道寬度 35mm / 高度 15.0mm
符合 EN 50022 之標準