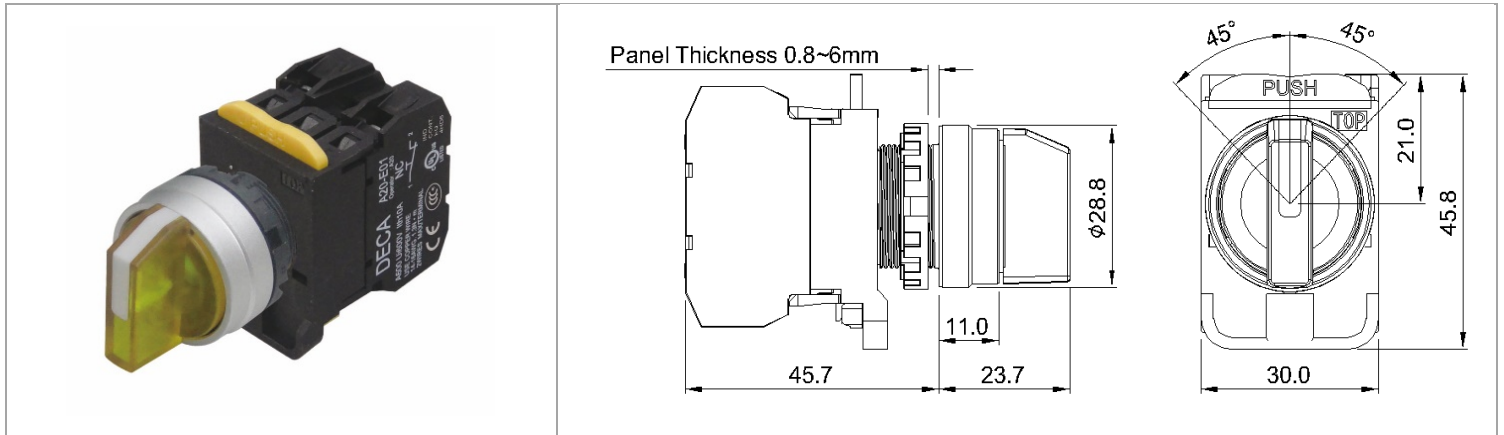


A204F-32E①②③

工業開關 > Φ22A20開關控制元件



目錄僅供參考，實際規格仍依照產品工程圖面為準

產品介紹 Product Description

基本信息 Additional Information

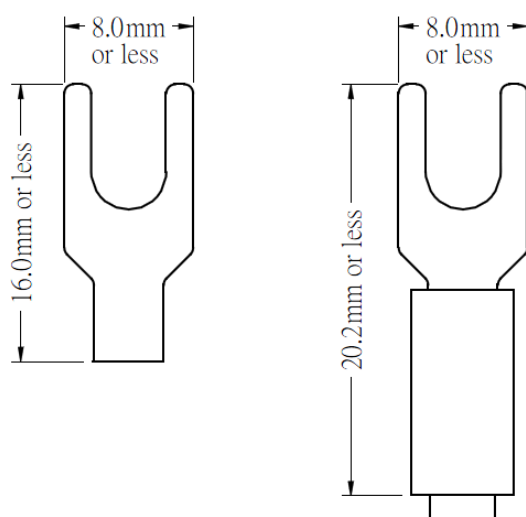
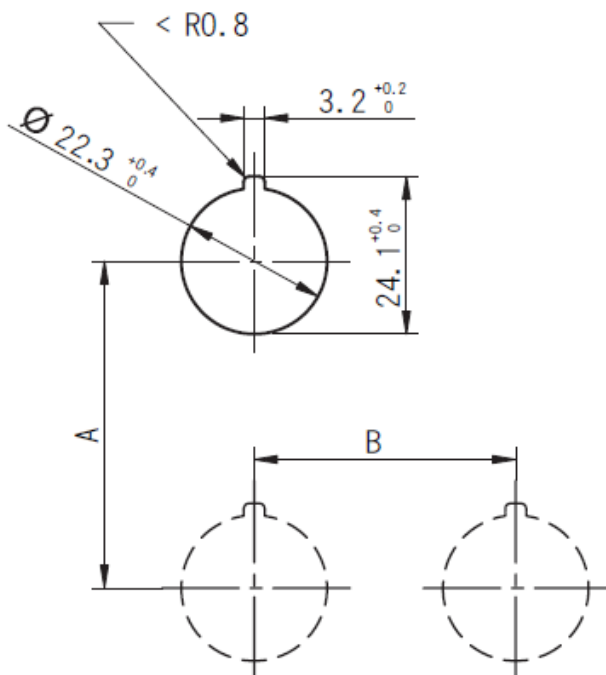
產品系列 Series	M22
產品種類 Function	模組式 Module
產品型式 Type	照光選擇開關 Illuminated Selector Switch
面框材料 Bezel Material	金屬 Metal
產品動作 Action	3 Positions -45° to 0° to +45°
動作類型 Operator	Spring Return form Left
接點塊 ① Block ①	20: 2NO, 02: 2NC, 11/11N1:1NO1NC
電壓 ② Voltage ②	Q2: AC/DC 6V, Q3: AC/DC 12V, Q4: AC/DC 24V, QH: AC/DC 110V QM3: AC/DC 230V
顏色 ② Color ②	A:琥珀色, R:紅色, G:綠色, S:藍色, Y:黃色, W:白色, PW:純白色 A:Amber, R:Red, G:Green, S:Blue, Y:Yellow, W:White, PW:Pure White
重量 Weight	52g
線徑 Wire Diameter	14~16AWG

產品規格 Product Specification

Rated Insulation Voltage (Ui)		600V			
Rated Thermal Current (Ith)		10A			
Rated Operational Voltage (Ue)		24V	120V	240V	380V
AC 50/60HZ	Resistive Load (AC-12) (Ie)	10A	10A	6A	2A
	Inductive Load (AC-15) (Ie)	10A	6A	3A	1.9A
DC	Resistive Load (DC-12) (Ie)	8A	2.2A	1.1A	-
	Inductive Load (DC-13) (Ie)	4A	1.1A	0.55A	-
儲存溫度 Storage Temperature		-45°C to +85°C			
操作溫度 Operating Temperature		-25°C to +70°C			
操作濕度 Operating Humidity		45% to 85% RH			
防護等級 Degree of Protection		IP65			
汙染等級 Degree of Pollution		3			
接觸阻抗 Contact resistance		100mΩ max (at 1A, DC 6~8V)			

絕緣阻抗 Insulation resistance	100MΩ max (at DC 500V)
耐電壓 Dielectric Strength	AC 2500, 50/60Hz for 1min
機械壽命 Mechanical Life	5,000,000 operations
電氣壽命 Electrical Life	100,000 operations
電氣耐久性 Electrical Durability	1,000,000 cycles, AC-15, 230V/1A, 3600 cyc/hr 1,000,000 cycles, DC-13, 24V/0.5A, 3600 cyc/hr
抗衝擊-誤動作 Shock Resistance - Operating Extremes	100 m/s ²
抗衝擊-耐久性 Shock Resistance - Operating Extremes	1000 m/s ²
耐振動-誤動作 Vibration Resistance - Operating Extremes	5~55Hz, 單振幅 0.5mm 5 to 55Hz, Amplitude 0.5mm
耐振動-耐久性 Vibration Resistance - Damage Limits	30Hz, 單振幅 1.5mm 30Hz, Amplitude 1.5mm
容許操作頻率-機械 Operating Frequency	瞬時MAX 60次/min (參考) Instantaneous Maximum 60 operations per 1 min

安裝說明 Assembly

<p>端子外型 Crimp Terminals Appearance</p> 	<p>安裝孔尺寸 Mounting Hole Layout</p> 
<p>面板厚度 Panel Thickness</p>	<p>0.8~12 mm</p>
<p>安裝轉矩 (牙環) Mounting Torque</p>	<p>2 N.m</p>

安全認證 Certificates

<p>Certification Mark</p>	
<p>Approved StandardS</p>	<p>IEC 60947-1, IEC 60947-5, GB/T 14048.5, UL508, CSA C22.2</p>