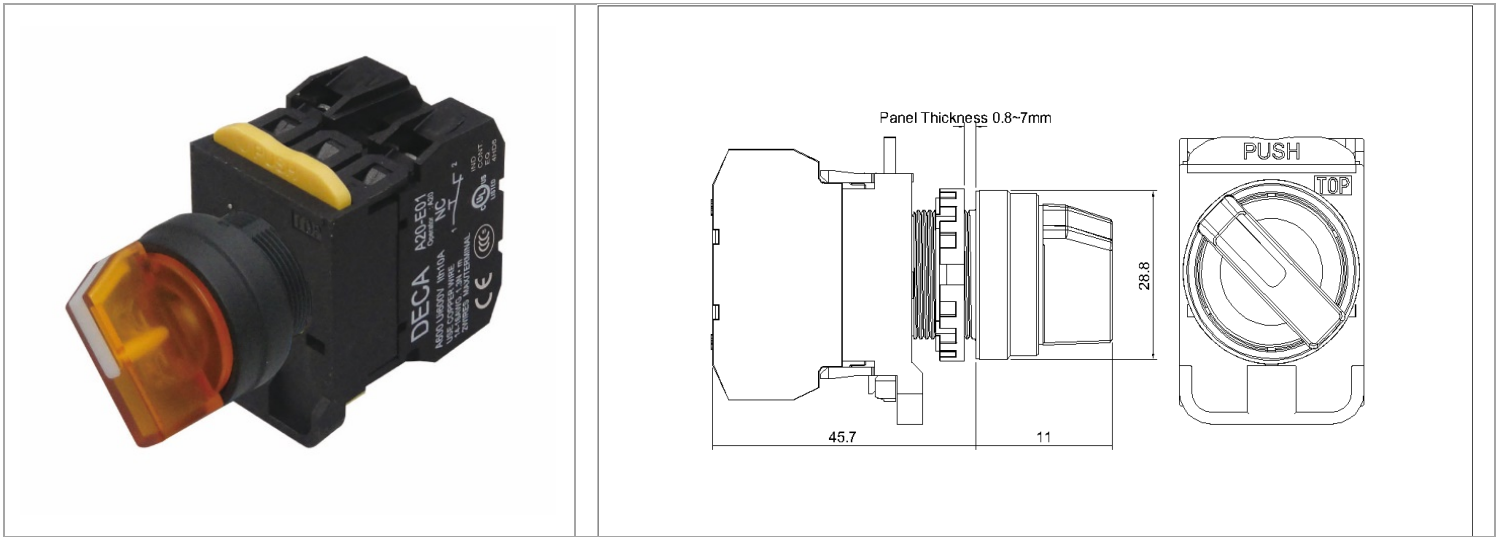


A20F-2E①②③

工業開關 > Φ22A20開關控制元件



目錄僅供參考，實際規格仍依照產品工程圖面為準

產品介紹 Product Description

基本信息 Additional Information

產品系列 Series	M22
產品種類 Function	模組式 Module
產品型式 Type	照光選擇開關 Illuminated Selector Switch
面框材料 Bezel Material	塑膠 Plastic
產品動作 Action	二段-45°~+45° 2 Positions -45° to +45°
動作類型 Operator	保持 Maintained
接點塊 ① Block ①	10:1NO, 01:1NC, 20: 2NO, 02:2NC, 11:1NO+1NC
電壓 ② Voltage ②	Q2: AC/DC 6V, Q3: AC/DC 12V, Q4: AC/DC 24V, QH: AC/DC 110V QM3: AC/DC 230V
顏色 ② Color ②	A:琥珀色, R:紅色, G:綠色, S:藍色, Y:黃色, W:白色, PW:純白色 A:Amber, R:Red, G:Green, S:Blue, Y:Yellow, W:White, PW:Pure White
重量 Weight	52g
線徑 Wire Diameter	14~16AWG

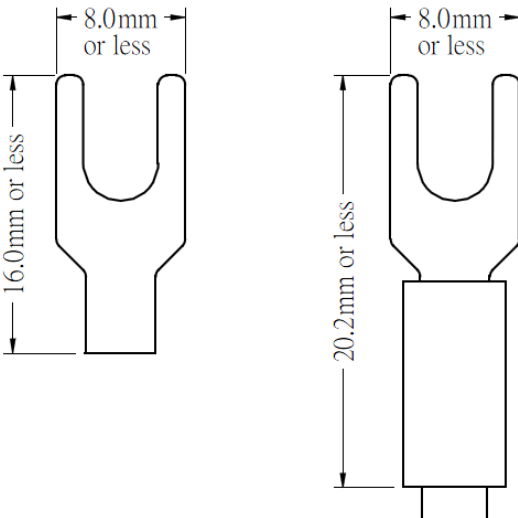
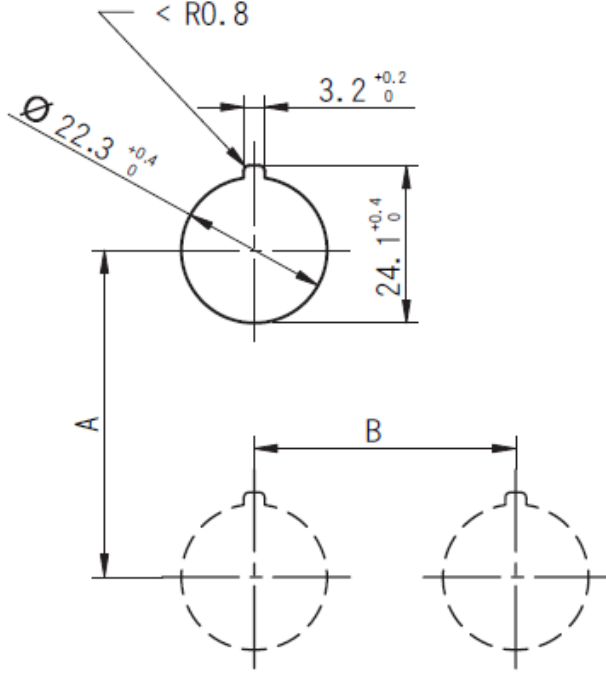
產品規格 Product Specification

Rated Insulation Voltage (Ui)		600V			
Rated Thermal Current (Ith)		10A			
Rated Operational Voltage (Ue)		24V	120V	240V	380V
AC 50/60HZ	Resistive Load (AC-12) (Ie)	10A	10A	6A	2A
	Inductive Load (AC-15) (Ie)	10A	6A	3A	1.9A
DC	Resistive Load (DC-12) (Ie)	8A	2.2A	1.1A	-
	Inductive Load (DC-13) (Ie)	4A	1.1A	0.55A	-

儲存溫度 Storage Temperature	-45°C to +85°C
操作溫度 Operating Temperature	-25°C to +70°C
操作濕度 Operating Humidity	45% to 85% RH

防護等級 Degree of Protection	IP65
汙染等級 Degree of Pollution	3
接觸阻抗 Contact resistance	100mΩ max (at 1A, DC 6~8V)
絕緣阻抗 Insulation resistance	100MΩ max (at DC 500V)
耐電壓 Dielectric Strength	AC 2500, 50/60Hz for 1min
機械壽命 Mechanical Life	5,000,000 operations
電氣壽命 Electrical Life	100,000 operations
電氣耐久性 Electrical Durability	1,000,000 cycles, AC-15, 230V/1A, 3600 cyc/hr 1,000,000 cycles, DC-13, 24V/0.5A, 3600 cyc/hr
抗衝擊-誤動作 Shock Resistance - Operating Extremes	100 m/s ²
抗衝擊-耐久性 Shock Resistance - Operating Extremes	1000 m/s ²
耐振動-誤動作 Vibration Resistance - Operating Extremes	5~55Hz, 單振幅 0.5mm 5 to 55Hz, Amplitude 0.5mm
耐振動-耐久性 Vibration Resistance - Damage Limits	30Hz, 單振幅 1.5mm 30Hz, Amplitude 1.5mm
容許操作頻率-機械 Operating Frequency	瞬時MAX 60次/min (參考) Instantaneous Maximun 60 operations per 1 min

安裝說明 Assembly

端子外型 Crimp Terminals Appearance	安裝孔尺寸 Mounting Hole Layout
	
面板厚度 Panel Thickness	0.8~12 mm
安裝轉矩 (牙環) Mounting Torque	2 N.m

安全認證 Certificates

Certification Mark	
Approved StandardS	IEC 60947-1, IEC 60947-5, GB/T 14048.5, UL508, CSA C22.2