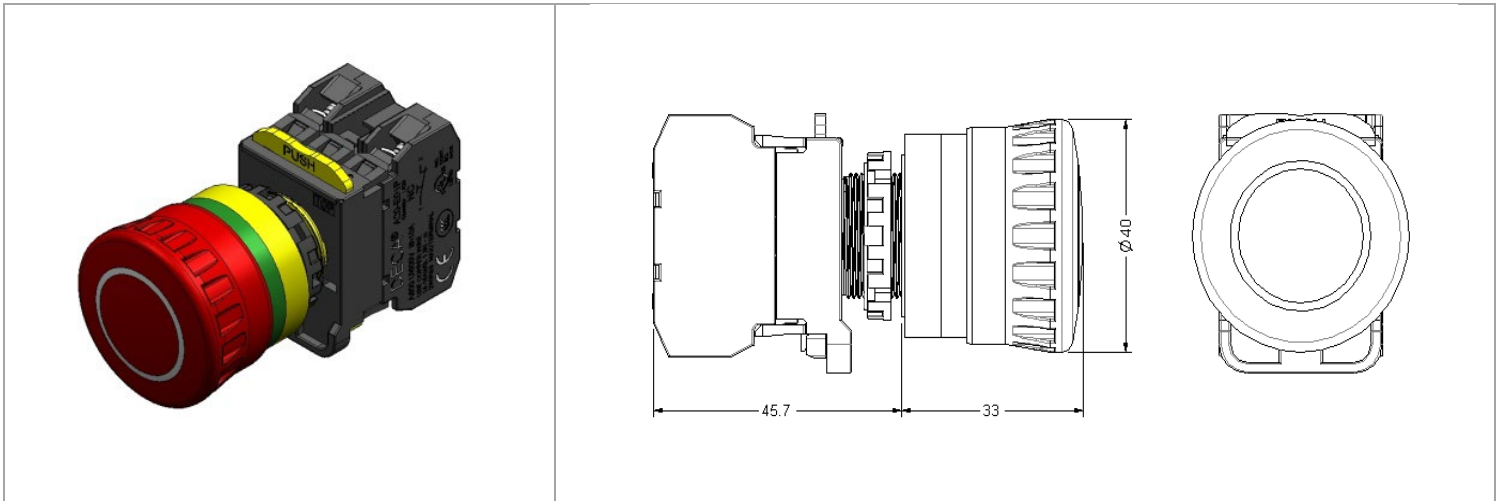


A20L-V4E①R/007

工業開關 > Φ22A20開關控制元件



目錄僅供參考，實際規格仍依照產品工程圖面為準

產品介紹 Product Description

基本信息 Additional Information

產品系列 Series	M22
產品種類 Function	模組式 Module
產品型式 Type	照光緊急停止開關 Illuminated Emergency Stop Switch
面框材料 Bezel Material	塑膠 Plastic
動作類型 Operator	直拉解除 Pull Release
接點塊 ① Block ①	10:1NO, 01:1NC, 20: 2NO, 02:2NC, 11:1NO+1NC
電壓 ② Voltage ②	Q2: AC/DC 6V, Q3: AC/DC 12V, Q4: AC/DC 24V, QH: AC/DC 110V QM3: AC/DC 230V
重量 Weight	52g
線徑 Wire Diameter	14~16AWG

產品規格 Product Specification

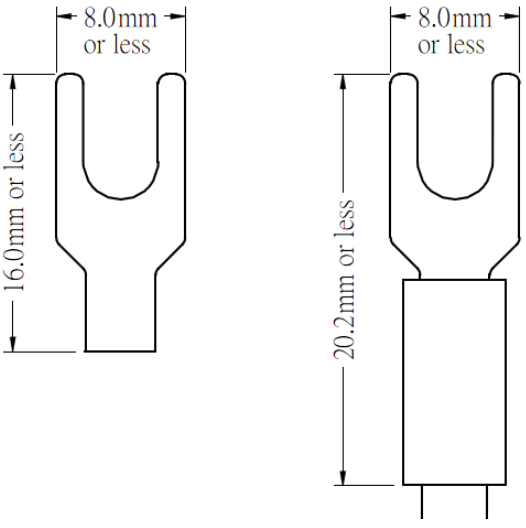
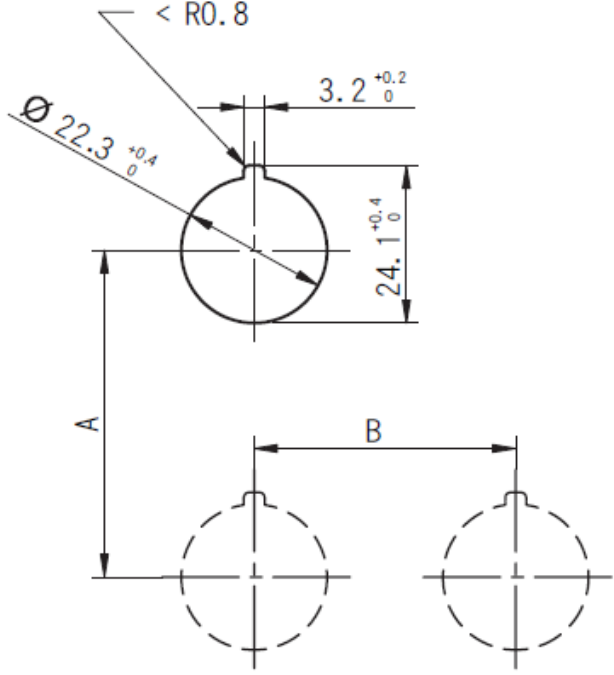
Rated Insulation Voltage (Ui)		600V			
Rated Thermal Current (Ith)		10A			
Rated Operational Voltage (Ue)		24V	120V	240V	380V
AC 50/60HZ	Resistive Load (AC-12) (Ie)	10A	10A	6A	2A
	Inductive Load (AC-15) (Ie)	10A	6A	3A	1.9A
DC	Resistive Load (DC-12) (Ie)	8A	2.2A	1.1A	-
	Inductive Load (DC-13) (Ie)	4A	1.1A	0.55A	-

LED消耗電流 LED Rate Current

Type	Voltage	Current
LAED-6	12V AC/DC	14mA(Amber、Red、Yellow)
		13mA(Green、White、Blue)
LAED-1	12V AC/DC	14mA(Amber、Red、Yellow)
		13mA(Green、White、Blue)
LAED-2	24V AC/DC	14mA(Amber、Red、Yellow)
		13mA(Green、White、Blue)
LAED-H	110V AC/DC	5.5mA
LAED-M3	230/240V AC/DC	2.7mA

儲存溫度 Storage Temperature	-45°C to +85°C
操作溫度 Operating Temperature	-25°C to +70°C
操作濕度 Operating Humidity	45% to 85% RH
防護等級 Degree of Protection	IP65
汙染等級 Degree of Pollution	3
接觸阻抗 Contact resistance	100mΩ max (at 1A, DC 6~8V)
絕緣阻抗 Insulation resistance	100MΩ max (at DC 500V)
耐電壓 Dielectric Strength	AC 2500, 50/60Hz for 1min
機械壽命 Mechanical Life	5,000,000 operations
電氣壽命 Electrical Life	100,000 operations
電氣耐久性 Electrical Durability	1,000,000 cycles, AC-15, 230V/1A, 3600 cyc/hr 1,000,000 cycles, DC-13, 24V/0.5A, 3600 cyc/hr
抗衝擊-誤動作 Shock Resistance - Operating Extremes	100 m/s ²
抗衝擊-耐久性 Shock Resistance - Operating Extremes	1000 m/s ²
耐振動-誤動作 Vibration Resistance - Operating Extremes	5~55Hz, 單振幅 0.5mm 5 to 55Hz, Amplitude 0.5mm
耐振動-耐久性 Vibration Resistance - Damage Limits	30Hz, 單振幅 1.5mm 30Hz, Amplitude 1.5mm
容許操作頻率-機械 Operating Frequency	瞬時MAX 60次/min (參考) Instantaneous Maximun 60 operations per 1 min

安裝說明 Assembly

端子外型 Crimp Terminals Appearance	安裝孔尺寸 Mounting Hole Layout
	
面板厚度 Panel Thickness	0.8~12 mm
安裝轉矩 (牙環) Mounting Torque	2 N.m

安全認證 Certificates

Certification Mark	
Approved StandardS	IEC 60947-1, IEC 60947-5, GB/T 14048.5, UL508, CSA C22.2