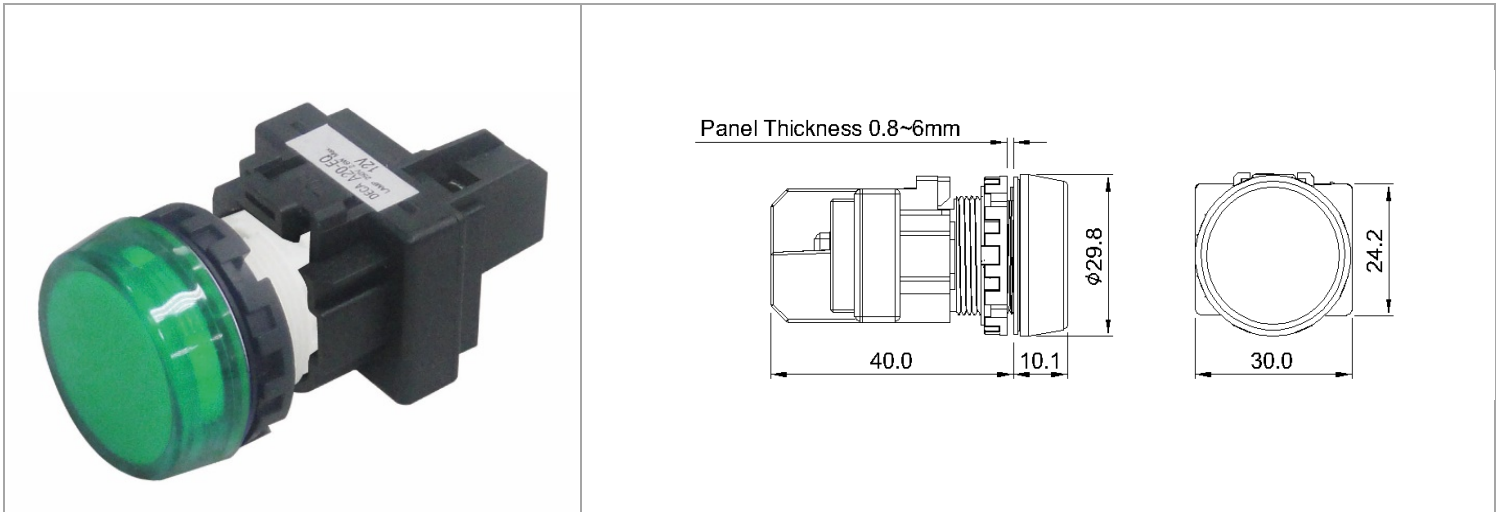


A20P-1BE①②

工業開關 > Φ22A20開關控制元件



目錄僅供參考，實際規格仍依照產品工程圖面為準

產品介紹 Product Description

基本信息 Additional Information

產品系列 Series	M22
產品種類 Function	模組式 Module
產品型式 Type	指示燈 Pilot Light
面框材料 Bezel Material	塑膠 Plastic
產品頭型 Shape	平頭形記名式 Flush Marking
動作類型 Operator	保持 Maintained
電壓 ① Voltage ①	Q2: AC/DC 6V, Q3:AC/DC 12V, Q4:AC/DC 24V, QH: AC/DC 110V,QM3: AC/DC 230V
顏色 ② Color ②	A:琥珀色, R:紅色, G:綠色, S:藍色, Y:黃色, W:白色, PW:純白色 A:Amber, R:Red, G:Green, S:Blue, Y:Yellow, W:White, PW:Pure White
重量 Weight	52g
線徑 Wire Diameter	14~16AWG

產品規格 Product Specification

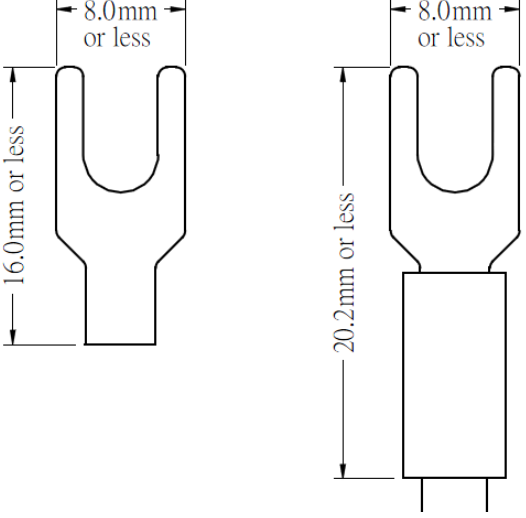
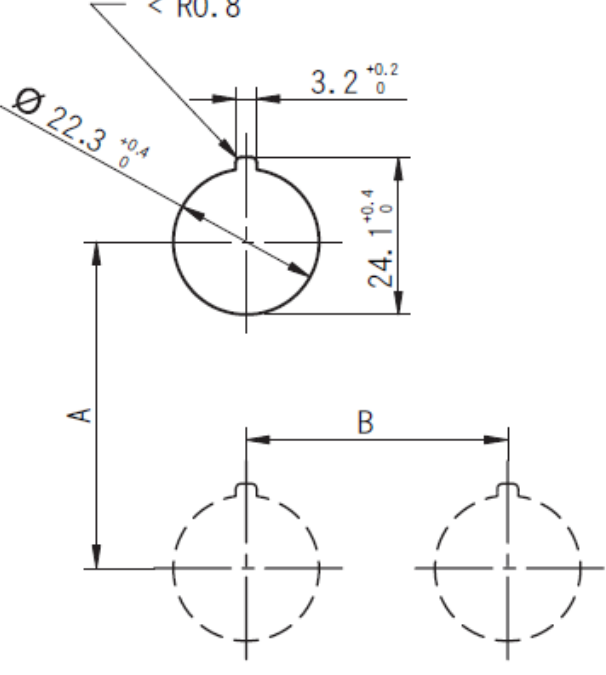
LED消耗電流 LED Rate Current

Type	Voltage	Current
LAED-6	12V AC/DC	14mA(Amber、Red、Yellow)
		13mA(Green、White、Blue)
LAED-1	12V AC/DC	14mA(Amber、Red、Yellow)
		13mA(Green、White、Blue)
LAED-2	24V AC/DC	14mA(Amber、Red、Yellow)
		13mA(Green、White、Blue)
LAED-H	110V AC/DC	5.5mA
LAED-M3	230/240V AC/DC	2.7mA

儲存溫度 Storage Temperature	-45°C to +85°C
操作溫度 Operating Temperature	-25°C to +70°C

操作濕度 Operating Humidity	45% to 85% RH
防護等級 Degree of Protection	IP65
汙染等級 Degree of Pollution	3
接觸阻抗 Contact resistance	100mΩ max (at 1A, DC 6~8V)
絕緣阻抗 Insulation resistance	100MΩ max (at DC 500V)
耐電壓 Dielectric Strength	AC 2500, 50/60Hz for 1min

安裝說明 Assembly

端子外型 Crimp Terminals Appearance	安裝孔尺寸 Mounting Hole Layout
	
面板厚度 Panel Thickness	0.8~12 mm
安裝轉矩 (牙環) Mounting Torque	2 N.m

安全認證 Certificates

Certification Mark	
Approved Standards	IEC 60947-1, IEC 60947-5, GB/T 14048.5, UL508, CSA C22.2