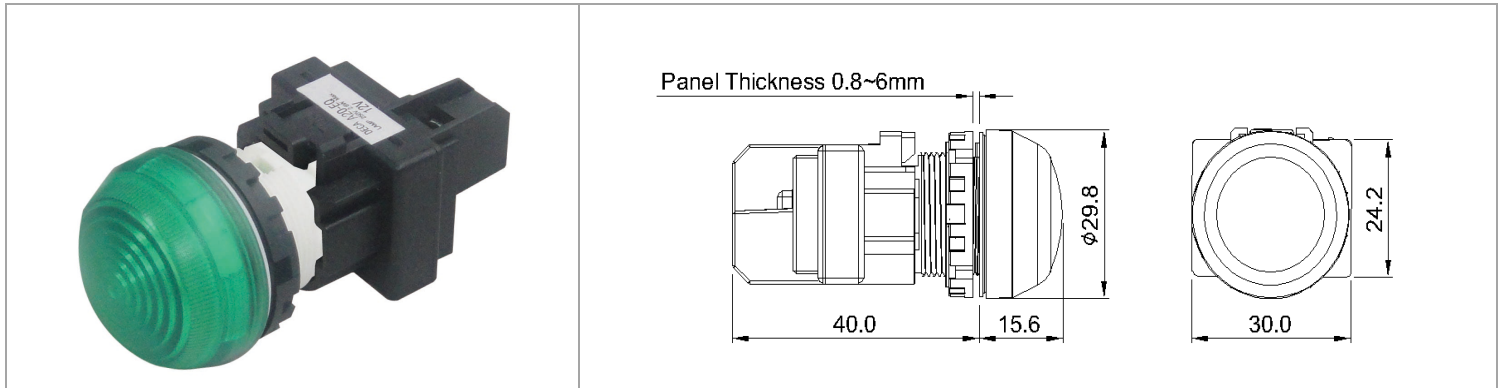


A20P-2E①②

工業開關 > Φ22A20開關控制元件



目錄僅供參考，實際規格仍依照產品工程圖面為準

產品介紹 Product Description

基本信息 Additional Information

| | |
|---------------------|--|
| 產品系列 Series | M22 |
| 產品種類 Function | 模組式 Module |
| 產品型式 Type | 指示燈 Pilot Light |
| 面框材料 Bezel Material | 塑膠 Plastic |
| 產品頭型 Shape | 半球形 Dome |
| 動作類型 Operator | 保持 Maintained |
| 電壓 ① Voltage ① | Q2: AC/DC 6V, Q3:AC/DC 12V, Q4:AC/DC 24V, QH: AC/DC 110V,QM3: AC/DC 230V |
| 顏色 ② Color ② | A:琥珀色, R:紅色, G:綠色, S:藍色, Y:黃色, W:白色, PW:純白色 A:Amber, R:Red, G:Green, S:Blue, Y:Yellow, W:White, PW:Pure White |
| 重量 Weight | 52g |
| 線徑 Wire Diameter | 14~16AWG |

產品規格 Product Specification

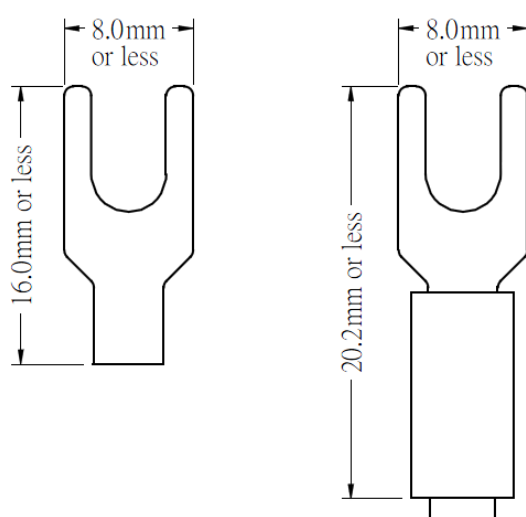
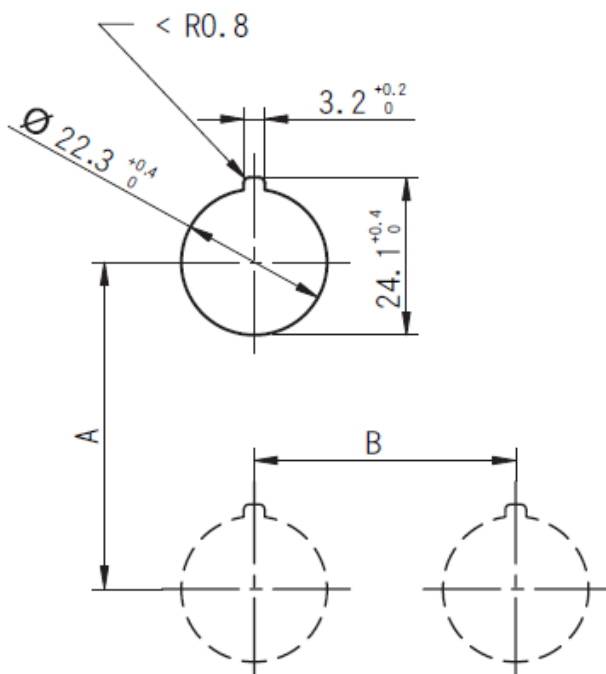
LED消耗電流 LED Rate Current

| Type | Voltage | Current |
|---------|----------------|------------------------|
| LAED-6 | 12V AC/DC | 14mA(Amber、Red、Yellow) |
| | | 13mA(Green、White、Blue) |
| LAED-1 | 12V AC/DC | 14mA(Amber、Red、Yellow) |
| | | 13mA(Green、White、Blue) |
| LAED-2 | 24V AC/DC | 14mA(Amber、Red、Yellow) |
| | | 13mA(Green、White、Blue) |
| LAED-H | 110V AC/DC | 5.5mA |
| LAED-M3 | 230/240V AC/DC | 2.7mA |

| | |
|----------------------------|----------------|
| 儲存溫度 Storage Temperature | -45°C to +85°C |
| 操作溫度 Operating Temperature | -25°C to +70°C |
| 操作濕度 Operating Humidity | 45% to 85% RH |
| 防護等級 Degree of Protection | IP65 |
| 汙染等級 Degree of Pollution | 3 |

| | |
|----------------------------|----------------------------|
| 接觸阻抗 Contact resistance | 100mΩ max (at 1A, DC 6~8V) |
| 絕緣阻抗 Insulation resistance | 100MΩ max (at DC 500V) |
| 耐電壓 Dielectric Strength | AC 2500, 50/60Hz for 1min |

安裝說明 Assembly

| 端子外型 Crimp Terminals Appearance | 安裝孔尺寸 Mounting Hole Layout |
|--|---|
|  |  |
| 面板厚度 Panel Thickness | 0.8~12 mm |
| 安裝轉矩 (牙環) Mounting Torque | 2 N.m |

安全認證 Certificates

| | |
|--------------------|--|
| Certification Mark |  |
| Approved StandardS | IEC 60947-1, IEC 60947-5, GB/T 14048.5, UL508, CSA C22.2 |