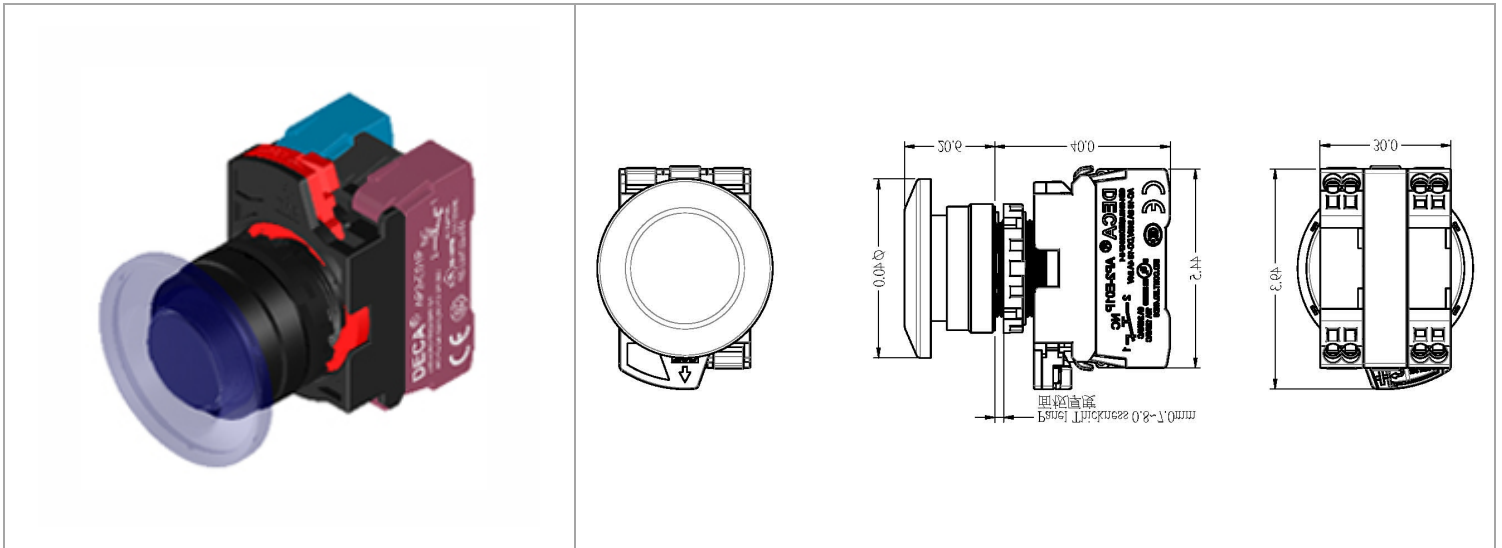


## AP2B-A4E①②

工業開關 > Φ22AP2插拔式開關



目錄僅供參考，實際規格仍依照產品工程圖面為準

### 產品介紹 Product Description

### 基本信息 Additional Information

|                     |  |
|---------------------|--|
| 產品系列 Series         | M22  |
| 產品種類 Function       | 模組式 Module   |
| 產品型式 Type           | 按鈕開關 Pushbutton Switch   |
| 面框材料 Bezel Material | 塑膠 Plastic   |
| 產品頭型 Shape          | 凸頭 Extended  |
| 動作類型 Operator       | 保持 Maintained  |
| 接點塊 ① Block ①       | 10:1NO, 20: 2NO,30:3NO,<br>01:1NC, 02:2NC,03:3NC,<br>11:1NO1NC, 12:1NO2NC, 21:2NO1NC     |
| 顏色 ② Color ②        | B:黑色, R:紅色, G:綠色, S:藍色, Y:黃色, W:白色<br>B:Black, R:Red, G:Green, S:Blue, Y:Yellow, W:White |
| 重量 Weight           | 45g  |
| 線徑 Wire Diameter    | 14~20AWG   |

### 產品規格 Product Specification

| 產品規格 Product Specification     |                             |                |      |      |       |      |
|--------------------------------|-----------------------------|----------------|------|------|-------|------|
| Rated Insulation Voltage (Ui)  |                             | 600V           |      |      |       |      |
| Rated Thermal Current (Ith)    |                             | 10A            |      |      |       |      |
| Rated Operational Voltage (Ue) |                             | 12V            | 24V  | 120V | 240V  | 380V |
| AC 50/60HZ                     | Resistive Load (AC-12) (Ie) | 10A            | 10A  | 10A  | 6A    | 3.8A |
|                                | Inductive Load (AC-15) (Ie) | 10A            | 10A  | 6A   | 3A    | 1.9A |
| Rated Operational Voltage (Ue) |                             | 12V            | 24V  | 125V | 250V  | -    |
| DC                             | Resistive Load (DC-12) (Ie) | 10A            | 10A  | 2.2A | 1.1A  | -    |
|                                | Inductive Load (DC-13) (Ie) | 10A            | 5.8A | 1.1A | 0.55A | -    |
| 儲存溫度 Storage Temperature       |                             | -40°C to +85°C |      |      |       |      |
| 操作溫度 Operating Temperature     |                             | -25°C to +70°C |      |      |       |      |
| 操作濕度 Operating Humidity        |                             | 45% to 85% RH  |      |      |       |      |

|  |   |
|--|---|
| 防護等級 Degree of Protection                            | IP66  |
| 汙染等級 Degree of Pollution                             | 3   |
| 接觸阻抗 Contact resistance                              | 100mΩ max (at 1A, DC 6~8V)  |
| 絕緣阻抗 Insulation resistance                           | 100MΩ max (at DC 500V)  |
| 耐電壓 Dielectric Strength                              | AC 2500, 50/60Hz for 1min   |
| 機械壽命 Mechanical Life                                 | 500,000 operations  |
| 電氣壽命 Electrical Life                                 | 100,000 operations  |
| 電氣耐久性 Electrical Durability                          | 1,000,000 cycles, AC-15, 230V/2A, 3600 cyc/hr, load factor 0.5<br>1,000,000 cycles, DC-13, 24V/1.5A, 3600 cyc/hr, load factor 0.5 |
| 抗衝擊-誤動作<br>Shock Resistance - Operating Extremes     | 150 m/s <sup>2</sup>  |
| 抗衝擊-耐久性<br>Shock Resistance - Operating Extremes     | 1000 m/s <sup>2</sup>   |
| 耐振動-誤動作<br>Vibration Resistance - Operating Extremes | 10~500Hz, 單振幅 0.35mm, 加速度 50 m/s <sup>2</sup><br>10 to 500Hz, Amplitude 0.35mm, Acceleration 50 m/s <sup>2</sup>                  |
| 耐振動-耐久性<br>Vibration Resistance - Damage Limits      | 10~500Hz, 單振幅 0.35mm, 加速度 50 m/s <sup>2</sup><br>10 to 500Hz, Amplitude 0.35mm, Acceleration 50 m/s <sup>2</sup>                  |
| 容許操作頻率-機械<br>Operating Frequency                     | 瞬時MAX 60次/min<br>Instantaneous Maximun 60 operations per 1 min  |

## 安裝說明 Assembly

| 端子外型 Crimp Terminals Appearance | 安裝孔尺寸 Mounting Hole Layout     |
|---------------------------------|--------------------------------|
|                                 |                                |
| 端子規格 Crimp Terminals Spect      | 0.50~1.5 mm <sup>2</sup> (8mm) |
| 面板厚度 Panel Thickness            | 0.8~7 mm                       |
| 安裝轉矩 (牙環) Mounting Torque       | 2 N.m                          |

## 安全認證 Certificates

|                    |  |
|--------------------|--|
| Certification Mark |  |
| Approved StandardS | IEC 60947-5, GB/T 14048.5, GB/T 6994(IEC 60092), UL1059, UL508(CSA C22.2 No.14).   |