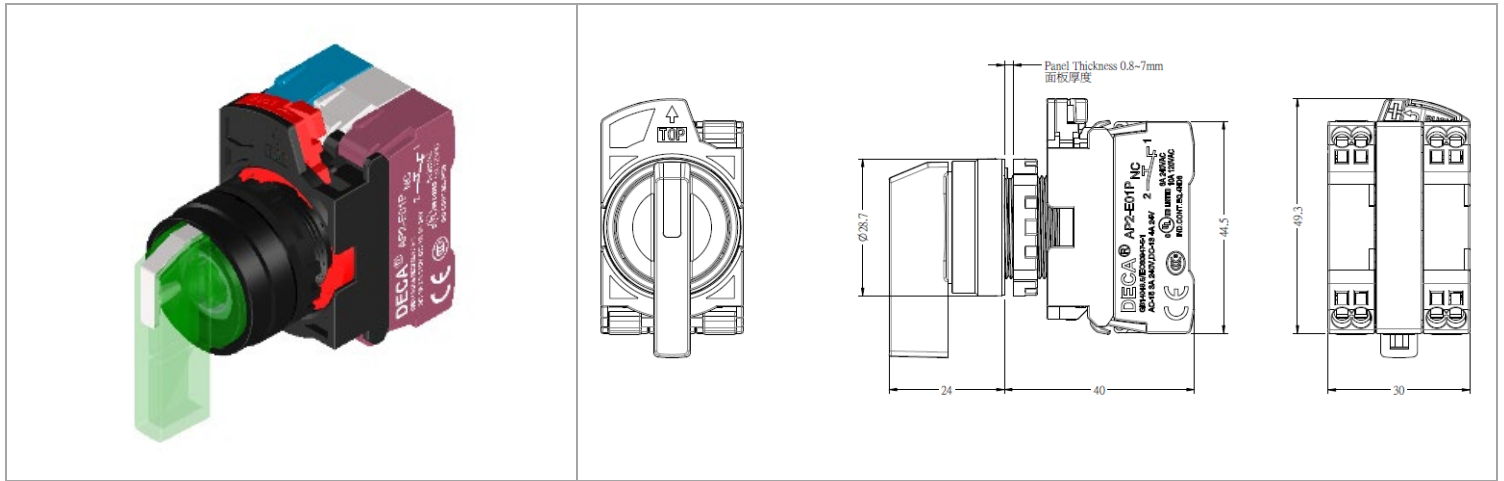


## AP2F-33LE①②③

工業開關 > Φ22AP2插拔式開關



目錄僅供參考，實際規格仍依照產品工程圖面為準

### 產品介紹 Product Description

### 基本信息 Additional Information

|                     |   |
|---------------------|---|
| 產品系列 Series         | M22   |
| 產品種類 Function       | 模組式 Module  |
| 產品型式 Type           | 照光選擇開關 Illuminated Selector Switch  |
| 面框材料 Bezel Material | 塑膠 Plastic  |
| 產品動作 Action         | 3 Positions -45° to 0° to +45°  |
| 動作類型 Operator       | 左右復歸 Spring Return form Two Ways  |
| 接點塊 ① Block ①       | 20: 2NO, 02:2NC, 11:1NO1NC  |
| 電壓 ② Voltage ②      | Q2: AC/DC 6V, Q3: AC/DC 12V, Q4: AC/DC 24V, Q5: AC/DC 36V, Q6: AC/DC 48V, Q7: AC/DC 60V, Q11: AC 110V, Q22: AC 220V, Q38: AC 380V, Q41: AC 415V |
| 顏色 ② Color ②        | A:琥珀色, R:紅色, G:綠色, S:藍色, Y:黃色, W:白色, PW:純白色<br>A:Amber, R:Red, G:Green, S:Blue, Y:Yellow, W:White, PW:Pure White                                |
| 重量 Weight           | 45g   |
| 線徑 Wire Diameter    | 14~20AWG  |

### 產品規格 Product Specification

產品規格 Product Specification

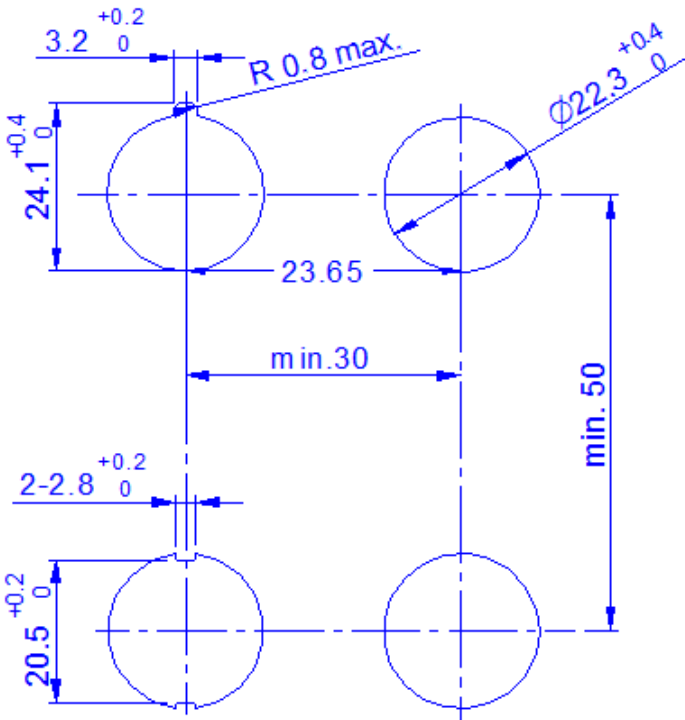
|                                |                             |      |      |      |       |      |
|--------------------------------|-----------------------------|------|------|------|-------|------|
| Rated Insulation Voltage (Ui)  |                             | 600V |      |      |       |      |
| Rated Thermal Current (Ith)    |                             | 10A  |      |      |       |      |
| Rated Operational Voltage (Ue) |                             | 12V  | 24V  | 120V | 240V  | 380V |
| AC 50/60HZ                     | Resistive Load (AC-12) (Ie) | 10A  | 10A  | 10A  | 6A    | 3.8A |
|                                | Inductive Load (AC-15) (Ie) | 10A  | 10A  | 6A   | 3A    | 1.9A |
| Rated Operational Voltage (Ue) |                             | 12V  | 24V  | 125V | 250V  | -    |
| DC                             | Resistive Load (DC-12) (Ie) | 10A  | 10A  | 2.2A | 1.1A  | -    |
|                                | Inductive Load (DC-13) (Ie) | 10A  | 5.8A | 1.1A | 0.55A | -    |

LED消耗電流 LED Rate Current

| Voltage    | Current (mA) |      |      |        |       |       |
|------------|--------------|------|------|--------|-------|-------|
|            | Green        | Red  | Blue | Yellow | Amber | White |
| AC/DC 6V   | 2.2          | 11   | 12   | 11     | 11    | 4.5   |
| AC/DC 12V  | 2.2          | 10   | 12   | 10     | 10    | 4.5   |
| AC/DC 24V  | 2.2          | 10   | 12   | 10     | 10    | 4.5   |
| AC/DC 110V | 2.2          | 1.4  | 1.4  | 1.3    | 1.4   | 1.2   |
| AC/DC 230V | 1.2          | 1.2  | 1.3  | 1.3    | 1.3   | 1.2   |
| AC 110V    | 2.8          | 10.6 | 10.5 | 10.5   | 11.2  | 6     |
| AC 220V    | 2.8          | 10.5 | 10.5 | 10.5   | 10.5  | 4.6   |

|  |   |
|--|---|
| 儲存溫度 Storage Temperature                             | -40°C to +85°C  |
| 操作溫度 Operating Temperature                           | -25°C to +70°C  |
| 操作濕度 Operating Humidity                              | 45% to 85% RH   |
| 防護等級 Degree of Protection                            | IP66  |
| 汙染等級 Degree of Pollution                             | 3   |
| 接觸阻抗 Contact resistance                              | 100mΩ max (at 1A, DC 6~8V)  |
| 絕緣阻抗 Insulation resistance                           | 100MΩ max (at DC 500V)  |
| 耐電壓 Dielectric Strength                              | AC 2500, 50/60Hz for 1min   |
| 機械壽命 Mechanical Life                                 | 500,000 operations  |
| 電氣壽命 Electrical Life                                 | 100,000 operations  |
| 電氣耐久性 Electrical Durability                          | 1,000,000 cycles, AC-15, 230V/2A, 3600 cyc/hr, load factor 0.5<br>1,000,000 cycles, DC-13, 24V/1.5A, 3600 cyc/hr, load factor 0.5 |
| 抗衝擊-誤動作<br>Shock Resistance - Operating Extremes     | 150 m/s <sup>2</sup>  |
| 抗衝擊-耐久性<br>Shock Resistance - Operating Extremes     | 1000 m/s <sup>2</sup>   |
| 耐振動-誤動作<br>Vibration Resistance - Operating Extremes | 10~500Hz, 單振幅 0.35mm, 加速度 50 m/s <sup>2</sup><br>10 to 500Hz, Amplitude 0.35mm, Acceleration 50 m/s <sup>2</sup>                  |
| 耐振動-耐久性<br>Vibration Resistance - Damage Limits      | 10~500Hz, 單振幅 0.35mm, 加速度 50 m/s <sup>2</sup><br>10 to 500Hz, Amplitude 0.35mm, Acceleration 50 m/s <sup>2</sup>                  |
| 容許操作頻率-機械<br>Operating Frequency                     | 瞬時MAX 30次/min<br>Instantaneous Maximun 30 operations per 1 min  |

## 安裝說明 Assembly

| 端子外型 Crimp Terminals Appearance   | 安裝孔尺寸 Mounting Hole Layout     |
|---|--------------------------------|
|  |                                |
| 端子規格 Crimp Terminals Spect  | 0.50~1.5 mm <sup>2</sup> (8mm) |
| 面板厚度 Panel Thickness  | 0.8~7 mm                       |
| 安裝轉矩 (牙環) Mounting Torque   | 2 N.m                          |

## 安全認證 Certificates

|                    |  |
|--------------------|--|
| Certification Mark |  |
| Approved StandardS | IEC 60947-5, GB/T 14048.5, GB/T 6994(IEC 60092), UL1059, UL508(CSA C22.2 No.14).     |