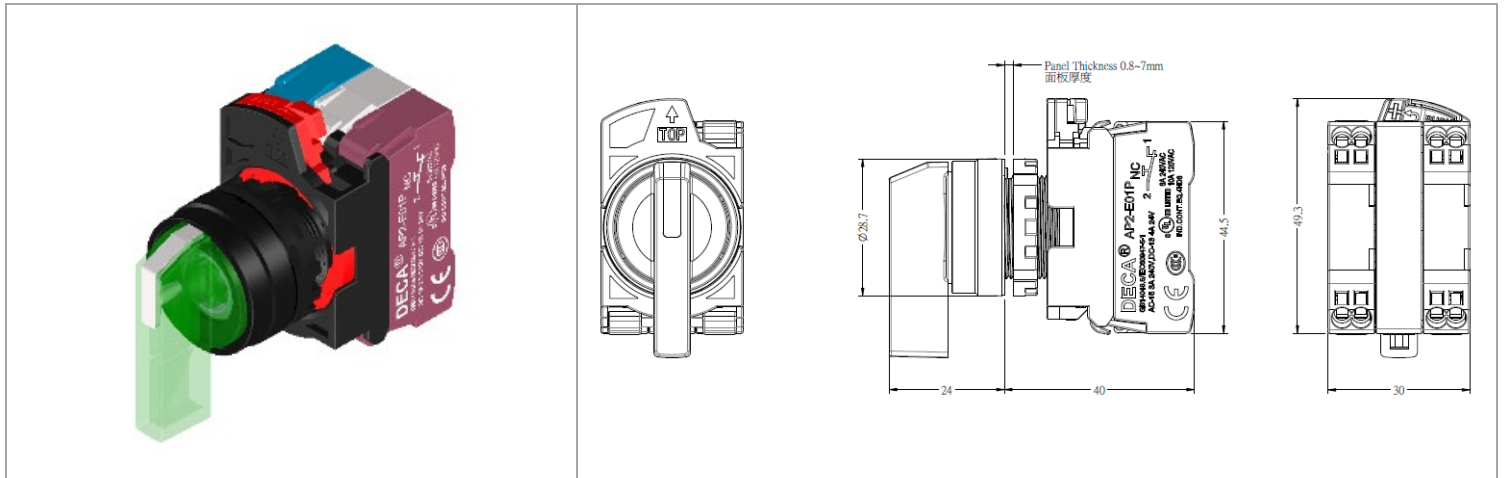


AP2F-3LE①②③

工業開關 > Φ22AP2插拔式開關



目錄僅供參考，實際規格仍依照產品工程圖面為準

產品介紹 Product Description

基本信息 Additional Information

產品系列 Series	M22
產品種類 Function	模組式 Module
產品型式 Type	照光選擇開關 Illuminated Selector Switch
面框材料 Bezel Material	塑膠 Plastic
產品動作 Action	3 Positions -45° to 0° to +45°
動作類型 Operator	保持 Maintained
接點塊 ① Block ①	20: 2NO, 02:2NC, 11:1NO1NC
電壓 ② Voltage ②	Q2: AC/DC 6V, Q3: AC/DC 12V, Q4: AC/DC 24V, Q5: AC/DC 36V, Q6: AC/DC 48V, Q7: AC/DC 60V, Q11: AC 110V, Q22: AC 220V, Q38: AC 380V, Q41: AC 415V
顏色 ② Color ②	A:琥珀色, R:紅色, G:綠色, S:藍色, Y:黃色, W:白色, PW:純白色 A:Amber, R:Red, G:Green, S:Blue, Y:Yellow, W:White, PW:Pure White
重量 Weight	45g
線徑 Wire Diameter	14~20AWG

產品規格 Product Specification

產品規格 Product Specification

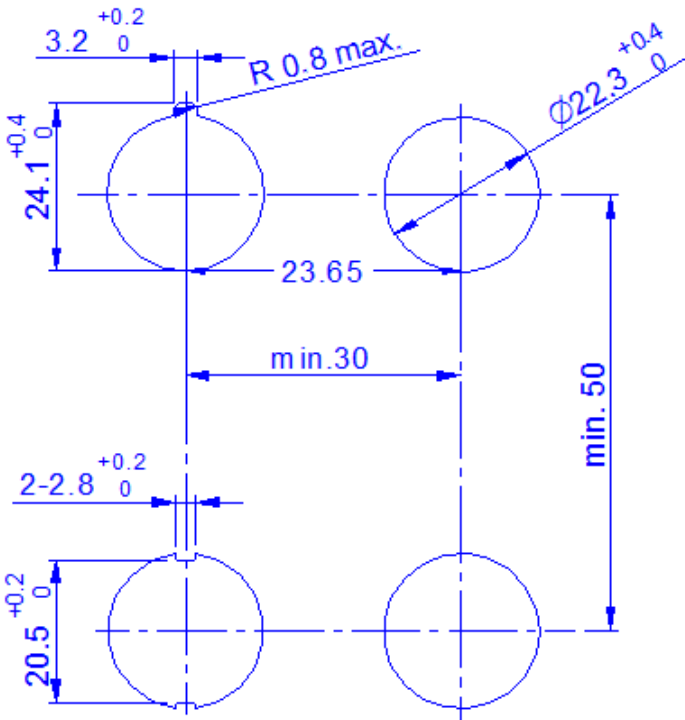
Rated Insulation Voltage (Ui)		600V				
Rated Thermal Current (Ith)		10A				
Rated Operational Voltage (Ue)		12V	24V	120V	240V	380V
AC 50/60HZ	Resistive Load (AC-12) (Ie)	10A	10A	10A	6A	3.8A
	Inductive Load (AC-15) (Ie)	10A	10A	6A	3A	1.9A
Rated Operational Voltage (Ue)		12V	24V	125V	250V	-
DC	Resistive Load (DC-12) (Ie)	10A	10A	2.2A	1.1A	-
	Inductive Load (DC-13) (Ie)	10A	5.8A	1.1A	0.55A	-

LED消耗電流 LED Rate Current

Voltage	Current (mA)					
	Green	Red	Blue	Yellow	Amber	White
AC/DC 6V	2.2	11	12	11	11	4.5
AC/DC 12V	2.2	10	12	10	10	4.5
AC/DC 24V	2.2	10	12	10	10	4.5
AC/DC 110V	2.2	1.4	1.4	1.3	1.4	1.2
AC/DC 230V	1.2	1.2	1.3	1.3	1.3	1.2
AC 110V	2.8	10.6	10.5	10.5	11.2	6
AC 220V	2.8	10.5	10.5	10.5	10.5	4.6

儲存溫度 Storage Temperature	-40°C to +85°C
操作溫度 Operating Temperature	-25°C to +70°C
操作濕度 Operating Humidity	45% to 85% RH
防護等級 Degree of Protection	IP66
汙染等級 Degree of Pollution	3
接觸阻抗 Contact resistance	100mΩ max (at 1A, DC 6~8V)
絕緣阻抗 Insulation resistance	100MΩ max (at DC 500V)
耐電壓 Dielectric Strength	AC 2500, 50/60Hz for 1min
機械壽命 Mechanical Life	500,000 operations
電氣壽命 Electrical Life	100,000 operations
電氣耐久性 Electrical Durability	1,000,000 cycles, AC-15, 230V/2A, 3600 cyc/hr, load factor 0.5 1,000,000 cycles, DC-13, 24V/1.5A, 3600 cyc/hr, load factor 0.5
抗衝擊-誤動作 Shock Resistance - Operating Extremes	150 m/s ²
抗衝擊-耐久性 Shock Resistance - Operating Extremes	1000 m/s ²
耐振動-誤動作 Vibration Resistance - Operating Extremes	10~500Hz, 單振幅 0.35mm, 加速度 50 m/s ² 10 to 500Hz, Amplitude 0.35mm, Acceleration 50 m/s ²
耐振動-耐久性 Vibration Resistance - Damage Limits	10~500Hz, 單振幅 0.35mm, 加速度 50 m/s ² 10 to 500Hz, Amplitude 0.35mm, Acceleration 50 m/s ²
容許操作頻率-機械 Operating Frequency	瞬時MAX 30次/min Instantaneous Maximun 30 operations per 1 min

安裝說明 Assembly

端子外型 Crimp Terminals Appearance	安裝孔尺寸 Mounting Hole Layout
	
端子規格 Crimp Terminals Spect	0.50~1.5 mm ² (8mm)
面板厚度 Panel Thickness	0.8~7 mm
安裝轉矩 (牙環) Mounting Torque	2 N.m

安全認證 Certificates

Certification Mark	
Approved StandardS	IEC 60947-5, GB/T 14048.5, GB/T 6994(IEC 60092), UL1059, UL508(CSA C22.2 No.14).