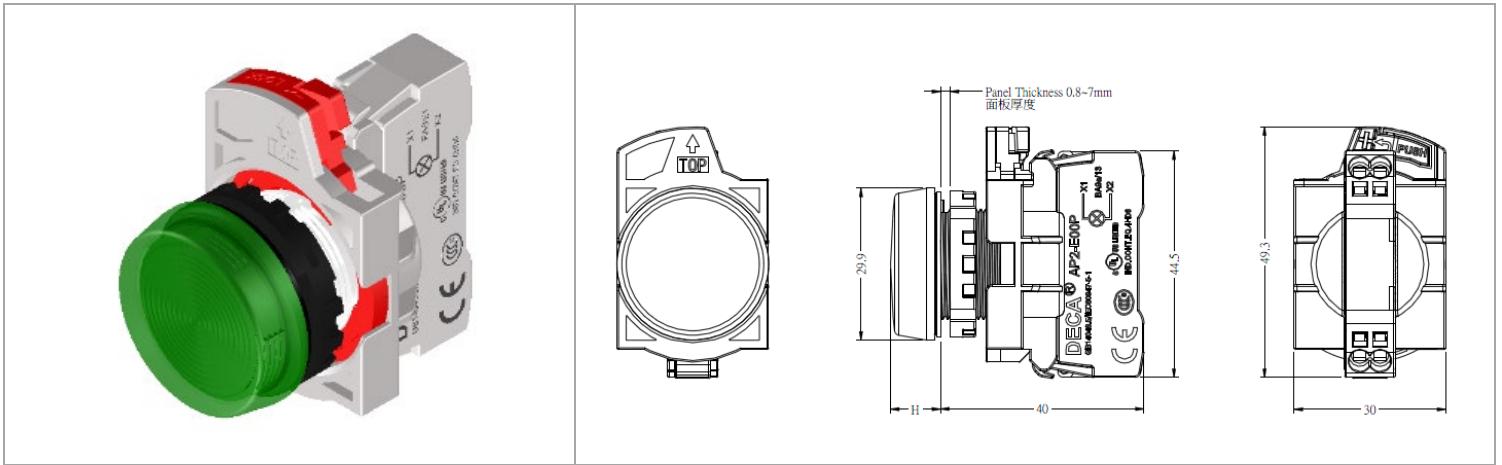


## AP2P-1E①②

工業開關 > Φ22AP2插拔式開關



目錄僅供參考，實際規格仍依照產品工程圖面為準

### 產品介紹 Product Description

### 基本信息 Additional Information

產品系列 Series	M22
產品種類 Function	模組式 Module
產品型式 Type	指示燈 Pilot Light
面框材料 Bezel Material	塑膠 Plastic
產品頭型 Shape	平頭形 Flush
燈泡拆換 Lamp Replaceable	可 YES
電壓 ① Voltage ①	Q2: AC/DC 6V, Q3:AC/DC 12V, Q4:AC/DC 24V, QH: AC/DC 110V,QM3: AC/DC 230V
顏色 ② Color ②	A:琥珀色, R:紅色, G:綠色, S:藍色, Y:黃色, W:白色, PW:純白色 A:Amber, R:Red, G:Green, S:Blue, Y:Yellow, W:White, PW:Pure White
重量 Weight	44g
線徑 Wire Diameter	14~20AWG

### 產品規格 Product Specification

LED消耗電流 LED Rate Current							
Voltage	Current (mA)						
	Green	Red	Blue	Yellow	Amber	White	
AC/DC 6V	2.2	11	12	11	11	4.5	
AC/DC 12V	2.2	10	12	10	10	4.5	
AC/DC 24V	2.2	10	12	10	10	4.5	
AC/DC 110V	2.2	1.4	1.4	1.3	1.4	1.2	
AC/DC 230V	1.2	1.2	1.3	1.3	1.3	1.2	
AC 110V	2.8	10.6	10.5	10.5	11.2	6	
AC 220V	2.8	10.5	10.5	10.5	10.5	4.6	
儲存溫度 Storage Temperature	-40°C to +85°C						
操作溫度 Operating Temperature	-25°C to +70°C						

操作濕度 Operating Humidity	45% to 85% RH
防護等級 Degree of Protection	IP66
汙染等級 Degree of Pollution	3
接觸阻抗 Contact resistance	100mΩ max (at 1A, DC 6~8V)
絕緣阻抗 Insulation resistance	100MΩ max (at DC 500V)
耐電壓 Dielectric Strength	AC 2500, 50/60Hz for 1min

## 安裝說明 Assembly

端子外型 Crimp Terminals Appearance	安裝孔尺寸 Mounting Hole Layout
端子規格 Crimp Terminals Spect	0.50~1.5 mm <sup>2</sup> (8mm)
面板厚度 Panel Thickness	0.8~12 mm
安裝轉矩 (牙環) Mounting Torque	2 N.m

## 安全認證 Certificates

Certification Mark	
Approved StandardS	IEC 60947-5, GB/T 14048.5, GB/T 6994(IEC 60092), UL1059, UL508(CSA C22.2 No.14).