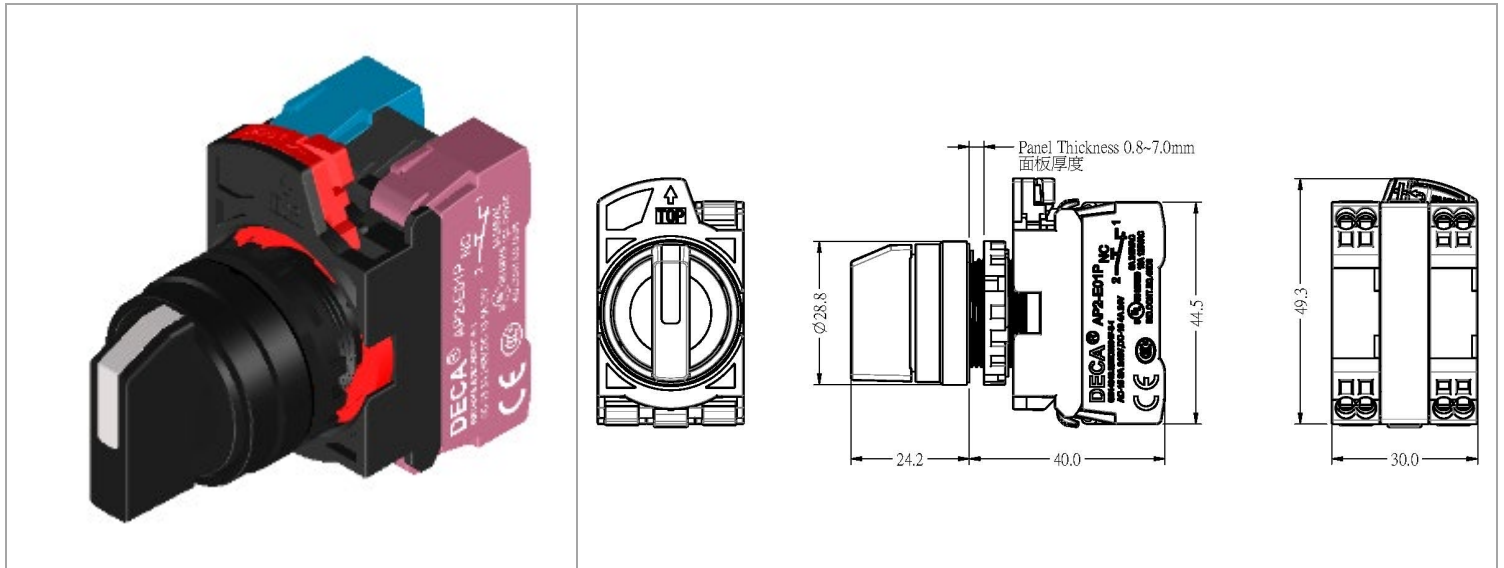


AP2S-31E①②

工業開關 > Φ22AP2插拔式開關



目錄僅供參考，實際規格仍依照產品工程圖面為準

產品介紹 Product Description

基本信息 Additional Information

| | |
|---------------------|--|
| 產品系列 Series | M22 |
| 產品種類 Function | 模組式 Module |
| 產品型式 Type | 選擇開關 Selector Switch |
| 面框材料 Bezel Material | 塑膠 Plastic |
| 產品動作 Action | 3 Positions -45° to 0° to +45° |
| 動作類型 Operator | 右復歸 Spring Return form Right |
| 接點塊 ① Block ① | 20: 2NO,30:3NO, 02:2NC,03:3NC, 11:1NO1NC, 12:1NO2NC, 21:2NO1NC |
| 顏色 ② Color ② | Blank:黑色, R:紅色, G:綠色, S:藍色, Y:黃色, W:白色 B:Black, R:Red, G:Green, S:Blue, Y:Yellow, W:White |
| 重量 Weight | 45g |
| 線徑 Wire Diameter | 14~20AWG |

產品規格 Product Specification

| 產品規格 Product Specification | | | | | | |
|--------------------------------|-----------------------------|----------------|------|------|-------|------|
| Rated Insulation Voltage (Ui) | | 600V | | | | |
| Rated Thermal Current (Ith) | | 10A | | | | |
| Rated Operational Voltage (Ue) | | 12V | 24V | 120V | 240V | 380V |
| AC 50/60HZ | Resistive Load (AC-12) (Ie) | 10A | 10A | 10A | 6A | 3.8A |
| | Inductive Load (AC-15) (Ie) | 10A | 10A | 6A | 3A | 1.9A |
| Rated Operational Voltage (Ue) | | 12V | 24V | 125V | 250V | - |
| DC | Resistive Load (DC-12) (Ie) | 10A | 10A | 2.2A | 1.1A | - |
| | Inductive Load (DC-13) (Ie) | 10A | 5.8A | 1.1A | 0.55A | - |
| 儲存溫度 Storage Temperature | | -40°C to +85°C | | | | |
| 操作溫度 Operating Temperature | | -25°C to +70°C | | | | |
| 操作濕度 Operating Humidity | | 45% to 85% RH | | | | |

| | |
|--|---|
| 防護等級 Degree of Protection | IP66 |
| 汙染等級 Degree of Pollution | 3 |
| 接觸阻抗 Contact resistance | 100mΩ max (at 1A, DC 6~8V) |
| 絕緣阻抗 Insulation resistance | 100MΩ max (at DC 500V) |
| 耐電壓 Dielectric Strength | AC 2500, 50/60Hz for 1min |
| 機械壽命 Mechanical Life | 500,000 operations |
| 電氣壽命 Electrical Life | 100,000 operations |
| 電氣耐久性 Electrical Durability | 1,000,000 cycles, AC-15, 230V/2A, 3600 cyc/hr, load factor 0.5 1,000,000 cycles, DC-13, 24V/1.5A, 3600 cyc/hr, load factor 0.5 |
| 抗衝擊-誤動作 Shock Resistance - Operating Extremes | 150 m/s ² |
| 抗衝擊-耐久性 Shock Resistance - Operating Extremes | 1000 m/s ² |
| 耐振動-誤動作 Vibration Resistance - Operating Extremes | 10~500Hz, 單振幅 0.35mm, 加速度 50 m/s ² 10 to 500Hz, Amplitude 0.35mm, Acceleration 50 m/s ² |
| 耐振動-耐久性 Vibration Resistance - Damage Limits | 10~500Hz, 單振幅 0.35mm, 加速度 50 m/s ² 10 to 500Hz, Amplitude 0.35mm, Acceleration 50 m/s ² |
| 容許操作頻率-機械 Operating Frequency | 瞬時MAX 30次/min Instantaneous Maximun 30 operations per 1 min |

安裝說明 Assembly

| 端子外型 Crimp Terminals Appearance | 安裝孔尺寸 Mounting Hole Layout |
|---------------------------------|--------------------------------|
| | |
| 端子規格 Crimp Terminals Spect | 0.50~1.5 mm ² (8mm) |
| 面板厚度 Panel Thickness | 0.8~7 mm |
| 安裝轉矩 (牙環) Mounting Torque | 2 N.m |

安全認證 Certificates

| | |
|---------------------------|---|
| <p>Certification Mark</p> |  |
| <p>Approved StandardS</p> | <p>IEC 60947-5, GB/T 14048.5, GB/T 6994(IEC 60092), UL1059, UL508(CSA C22.2 No.14).</p> |