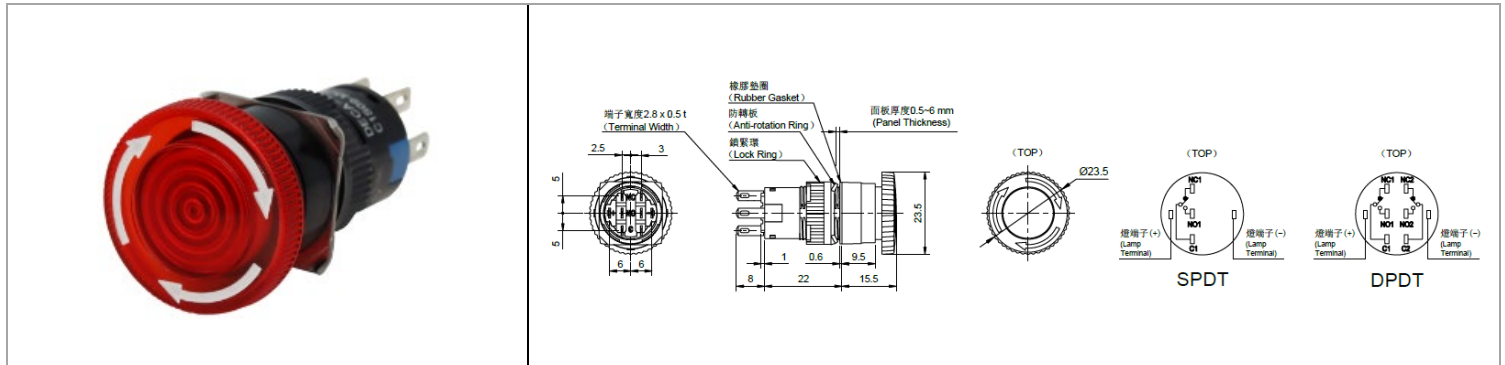


C1S09-XXXX-X

工業開關 > 金屬開關



目錄僅供參考，實際規格仍依照產品工程圖面為準

產品介紹 Product Description

應用標準 Application Standards

| UL(UL508, CSA-C22.2 No. 14) | |
|-----------------------------|---|
| AC General | 125V/5A , 250V/5A |
| AC resistance | 125V/5A , 250V/5A |
| DC resistance | 24V/1A , 125V/0.2A , 250V/0.1A |
| CCC(GB/T14048.5-2017) | |
| Ui | 250V |
| Ith | 5A |
| Uimp | 1.5kV |
| AC -12 | 12V/5A , 30V/5A , 125V/4A , 250V/2A |
| AC -15 | 12V/5A , 30V/5A , 125V/3A , 250V/1.5A |
| DC -12 | 12V/1A , 30V/1A , 125V/0.32A / 250V/0.16A |
| DC -13 | 12V/1A / 30V/1A / 125V/0.22A / 250V/0.11A |
| IP | IP40 , IP65 |

| C1S | □ | □ | □ | □ | □ | □ |
|--|--------------|----------------------|--|--------|--|---|
| Function | Shape | Degree of Protection | Lamp Operating Voltage | Color | Contant | |
| 04: Pushlock Turn Clockwise to Reset | MC: Mushroom | 1: IP40 2: IP65 | 0: Without Lamp(For C1S04) 1: Pushbutton H: LED 6V AC/DC J: LED 12V AC/DC K: LED 24V AC/DC | R: Red | HG10: DPDT (For C1S04) HG11: SPDT (For C1S04) HG01: DPDT (For C1S09) HG02: SPDT (For C1S09) | |
| 09: Illuminated Pushlock Turn Clockwise to Reset | | | | | | |

技術規格 Technical Data

| | | |
|---------------------------|------------------|--|
| Dielectric Strength | Switch Unit | Between live part and dead metal part: 2,000V AC, 1 min. Between terminals of different poles: 1,500V AC, 1 min. Between terminals of the same poles: 1,500V AC, 1 min. Between Contact and lamp terminals: 1,500V AC, 1 min. |
| | Illuminated Unit | Between Live Part and ground: 2,000V AC, 1 min. |
| Contact Resistance | | 50 mΩ maximum (initial value) |
| Insulation Resistance | | 100 MΩ minimum |
| Operating Humidity | | 45 to 85% RH (no condensation) |
| Storage Temperature | | -30 to +80°C (no freezing) |
| Operating Temperature | | -25 to +55°C (no freezing) |
| LED Operating Temperature | | -25 to +55°C (no freezing) |
| Vibration Resistance | | 5 to 55 Hz, amplitude 0.75 mm |
| Shock Resistance | | Damage limits: 500 m/s ² Operating extremes: 200 m/s ² |
| Mechanical Life | | Momentary: 1,000,000 Maintained: 100,000 |
| Electrical Life | | 50,000 |
| Terminal Style | | Solder terminal |
| Button travel (nominal) | | 2.8mm |
| Operating Force (nominal) | | For 1NO1NC: 2 N For 2NO2NC: 3 N |
| Weight(approx.) | | 9g(C1C) |
| | | 10g(C1C) (Illuminated) |
| | | 6g(C1P) |
| | | 7g(C1S) |
| | | 8g(C1S) (Illuminated) |
| | | 9g(C1S04, C1S09) 9g(C1K) |