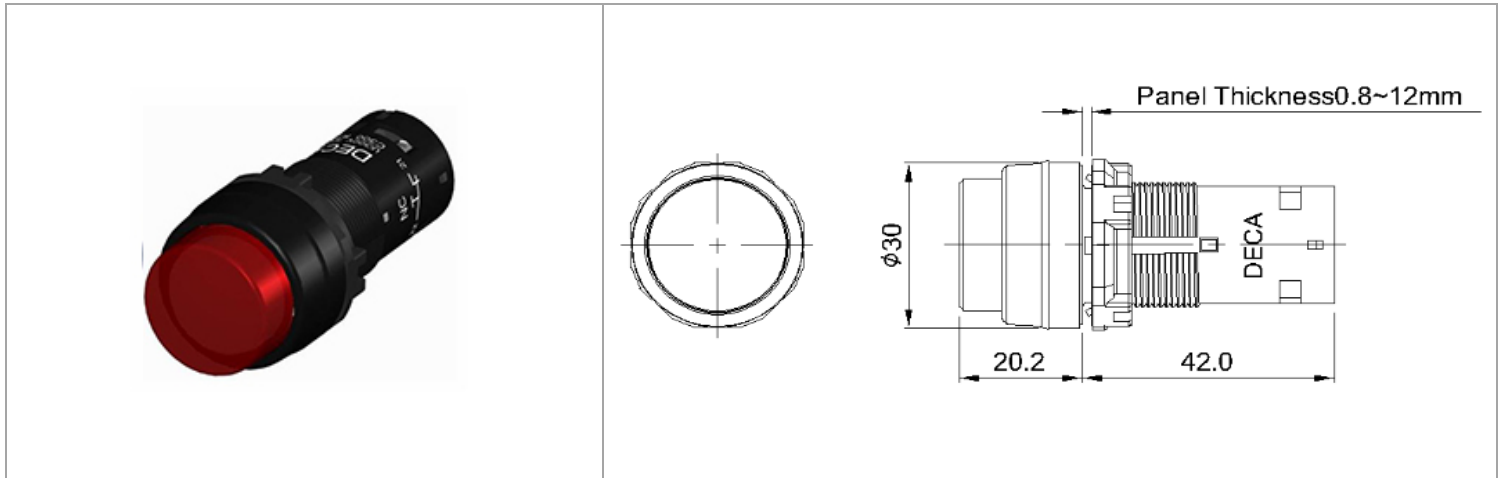


C2B-A2E①②

工業開關 > Φ22mm一體式開關



目錄僅供參考，實際規格仍依照產品工程圖面為準

產品介紹 Product Description

基本信息 Additional Information

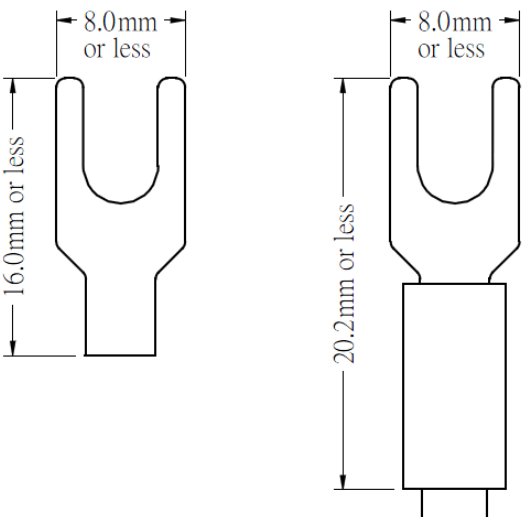
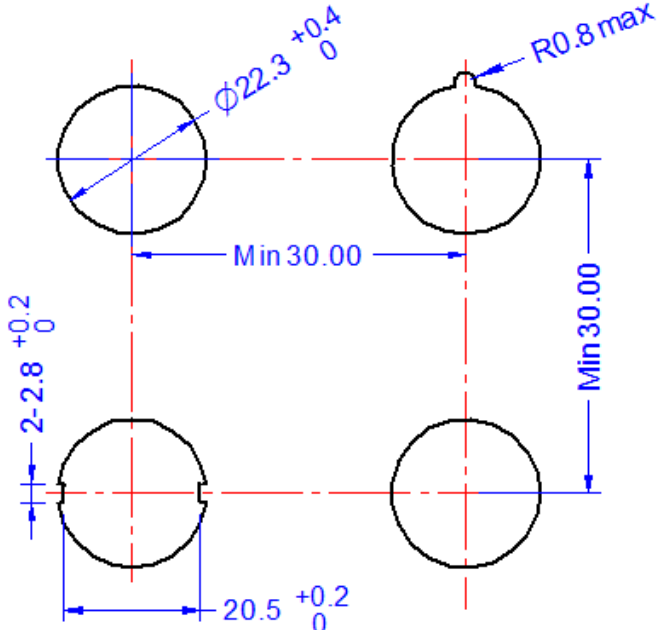
| | |
|---------------------|--|
| 產品系列 Series | M22 |
| 產品種類 Function | 一體式 Compact |
| 產品型式 Type | 按鈕開關 Pushbutton Switch |
| 面框材料 Bezel Material | 塑膠 Plastic |
| 產品頭型 Shape | 凸頭 Extended |
| 動作類型 Operator | 保持 Maintained |
| 接點塊 ① Block ① | 10:1NO, 20: 2NO, 01:1NC, 02:2NC, 11:1NO+1NC |
| 顏色 ② Color ② | B:黑色, R:紅色, G:綠色, S:藍色, Y:黃色, W:白色 B:Black, R:Red, G:Green, S:Blue, Y:Yellow, W:White |
| 重量 Weight | 22g |
| 線徑 Wire Diameter | 16~22AWG |

產品規格 Product Specification


| | | | | | |
|--------------------------------|-----------------------------|------|-----|-------|-------|
| Rated Insulation Voltage (Ui) | | 300V | | | |
| Rated Thermal Current (Ith) | | 8A | | | |
| Rated Operational Voltage (Ue) | | 12V | 30V | 125V | 250V |
| AC 50/60HZ | Resistive Load (AC-12) (Ie) | 5A | 5A | 4A | 2A |
| | Inductive Load (AC-15) (Ie) | 5A | 5A | 3A | 1.5A |
| DC | Resistive Load (DC-12) (Ie) | 1A | 1A | 0.32A | 0.16A |
| | Inductive Load (DC-13) (Ie) | 1A | 1A | 0.22A | 0.11A |
| 儲存溫度 Storage Temperature | -45°C to +85°C | | | | |
| 操作溫度 Operating Temperature | -25°C to +70°C | | | | |
| 操作濕度 Operating Humidity | 45% to 85% RH | | | | |
| 防護等級 Degree of Protection | IP66 | | | | |

| | |
|--|---|
| 汙染等級 Degree of Pollution | 3 |
| 接觸阻抗 Contact resistance | 100mΩ max (at 1A, DC 6~8V) |
| 絕緣阻抗 Insulation resistance | 100MΩ max (at DC 500V) |
| 耐電壓 Dielectric Strength | AC 2000, 50/60Hz for 1min |
| 機械壽命 Mechanical Life | 500,000 operations |
| 電氣壽命 Electrical Life | 100,000 operations |
| 電氣耐久性 Electrical Durability | 1,000,000 cycles, AC-15, 230V/1A, 3600 cyc/hr, load factor 0.5 1,000,000 cycles, DC-13, 24V/0.6A, 3600 cyc/hr, load factor 0.5 |
| 抗衝擊-誤動作 Shock Resistance - Operating Extremes | 100 m/s ² |
| 抗衝擊-耐久性 Shock Resistance - Operating Extremes | 1000 m/s ² |
| 耐振動-誤動作 Vibration Resistance - Operating Extremes | 5~55Hz, 單振幅 0.5mm 5 to 55Hz, Amplitude 0.5mm |
| 耐振動-耐久性 Vibration Resistance - Damage Limits | 30Hz, 單振幅 1.5mm 30Hz, Amplitude 1.5mm |
| 容許操作頻率-機械 Operating Frequency | 瞬時MAX 60次/min (參考) Instantaneous Maximun 60 operations per 1 min |

安裝說明 Assembly

| | |
|---|--|
| 端子外型 Crimp Terminals Appearance | 安裝孔尺寸 Mounting Hole Layout |
|  |  |
| 面板厚度 Panel Thickness | 0.8~12 mm |
| 安裝轉矩 (牙環) Mounting Torque | 2 N.m |

安全認證 Certificates

| | |
|--------------------|--|
| Certification Mark |  The image shows three certification marks: the CCC (China Compulsory Certification) logo, the CE (Conformité Européenne) logo, and the RoHS (Restriction of Hazardous Substances) logo. The RoHS logo includes the text 'RoHS Compliant'. |
| Approved StandardS | IEC 60947-5, GB/T 14048.5, GB/T 6994(IEC 60092) |