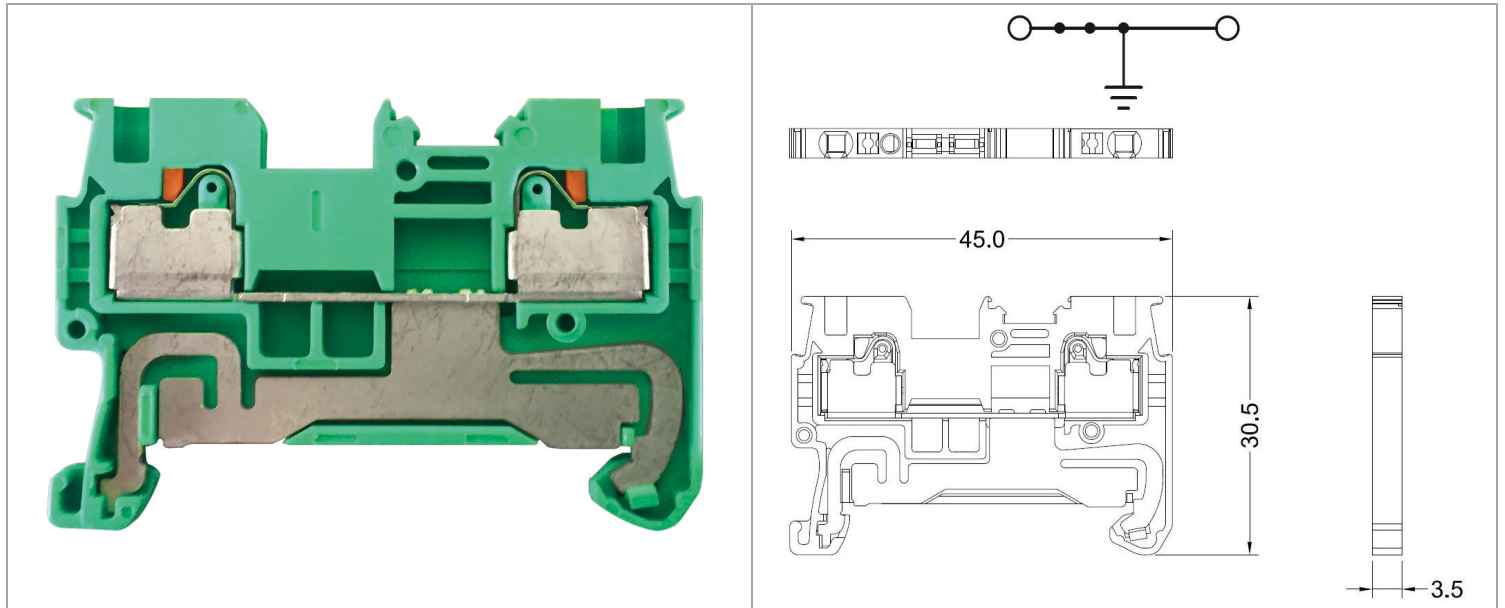


## DPT1.5-PE

端子台 > Push-in軌道式接線端子台



目錄僅供參考，實際規格仍依照產品工程圖面為準

### 產品介紹 Product Description

### 標準法規 Standards and Regulations

#### IEC認證參數 IEC Connection data (60947-7-2) **CE**

|                            |           |
|----------------------------|-----------|
| 額定電壓Nominal voltage UN     | 500V      |
| mm <sup>2</sup> /AWG/kcmil | 0.14 ~1.5 |

#### UL認證參數UL Recognized

|                            |       |
|----------------------------|-------|
| <b>B</b>                   |       |
| 額定電壓Nominal voltage UN     | 300V  |
| mm <sup>2</sup> /AWG/kcmil | 26~14 |
| <b>C</b>                   |       |
| 額定電壓Nominal voltage UN     | 300V  |
| mm <sup>2</sup> /AWG/kcmil | 26~14 |
| <b>D</b>                   |       |
| 額定電壓Nominal voltage UN     | 600V  |
| mm <sup>2</sup> /AWG/kcmil | 26~14 |


#### cUL認證參數cUL Recognized **cULus**

|                            |       |
|----------------------------|-------|
| <b>B</b>                   |       |
| 額定電壓Nominal voltage UN     | 300V  |
| mm <sup>2</sup> /AWG/kcmil | 26~14 |
| <b>C</b>                   |       |
| 額定電壓Nominal voltage UN     | 300V  |
| mm <sup>2</sup> /AWG/kcmil | 26~14 |
| <b>D</b>                   |       |
| 額定電壓Nominal voltage UN     | 600V  |
| mm <sup>2</sup> /AWG/kcmil | 26~14 |

## 商務資料 Key Commercial Data

|   |       |
|---|-------|
| 包裝單位 Packing unit                         | 1 PCS |
| MOQ Minimum order quantity                | 50PCS |
| 條碼GTIN                                    |       |
| 產品重量 Weight per Piece (excluding packing) | 4.81g |
| 訂貨碼 Custom tariff number                  |       |
| 原產地Country of origin                      | CN    |

## 材料資訊 Material information

|  |   |
|--|---|
| 絕緣材料Insulating material                              | PA66  |
| 符合UL 94的可燃性等級 Flammability rating according to UL 94 | V0  |
| 產品顏色 Color   |  |
| 最大工作溫度°C Continuous operating temp., max.            | 105°C   |
| 最小工作溫度°C Continuous operating temp., min.            | -40°C   |

## 外型尺寸 Dimensions

|                    |        |
|--------------------|--------|
| 寬度 Width           | 45.0mm |
| 長度Length           | 3.5mm  |
| 高度Height           | 30.5mm |
| 高度Height NS 35/7,5 | 32mm   |
| 高度Height NS 35/15  | 39.5mm |

## 一般資訊 General information

|                                 |                     |
|---------------------------------|---------------------|
| 產品連接數Number of connections      | 2                   |
| 產品電位Potentials                  | 1                   |
| 標籤寬度Nominal cross section       | 3.5mm               |
| 安裝指導Installation Advice         | Rail Mounting(導軌安裝) |
| 應用領域 Area of application        | 鐵路行業                |
|                                 | 機械製造                |
|                                 | 工廠工程                |
| 軌道條Type of mounting             | TS35/7.5            |
|                                 | TS35/15             |
| 額定浪湧電壓 Rated surge voltage      | 6 Kv                |
| 汙染程度 Degree of pollution        | 3                   |
| 過電壓類別 Overvoltage category      | III                 |
| 絕緣材料組 Insulating material group | I                   |
| 側邊為開放式 Open side panel          | yes                 |
| 手背防護Back of the hand protection | guaranteed          |
| 手指保護 Finger protection          | guaranteed          |

## 連接數據 Connection data

|  |   |
|--|---|
| 連接 Connection  | 1   |
| 連接方式Connection method  | Push in                                   |
| 撥線長度Stripping length   | 8~10mm                                    |
| 針對管狀端頭H1/10和H1.5/10須應用的剝線長度 For the wire end ferrules H1/10 and H1.5/10 of stripping length is to apply. | 12mm                                      |
| 單芯導線 Solid conductor(mm <sup>2</sup> )   | 0.14 mm <sup>2</sup> ~1.5mm <sup>2</sup>  |
| 單芯導線 Solid conductor (AWG)   | 24~14AWG                                  |
| 細多芯導線 Fine-stranded conductor(mm <sup>2</sup> )  | 0.14 mm <sup>2</sup> ~1.5 mm <sup>2</sup> |

|  |   |
|--|---|
| 細多芯導線 Fine-stranded conductor (AWG)  | 26~14AWG                                  |
| 導線連接截面積，多股導線，帶管狀端頭 DIN 46228/1<br>Wire connection cross-section, stranded conductor with wire-end ferrules DIN 46228/1 | 0.5 mm <sup>2</sup> ~1.5 mm <sup>2</sup>  |
| 導線連接截面積，多股導線，帶管狀端頭 DIN 46228/4<br>Wire connection cross-section, stranded conductor with wire-end ferrules DIN 46228/4 | 0.14 mm <sup>2</sup> ~1.5 mm <sup>2</sup> |
| 螺絲刀口尺寸 Blade size  | 0.4 x2.0mm                                |

### 環保產品合規 Environmental Product Compliance

|                          |  |
|--------------------------|--|
| China RoHS               |  |
| <b>RoHS</b><br>Compliant |  |