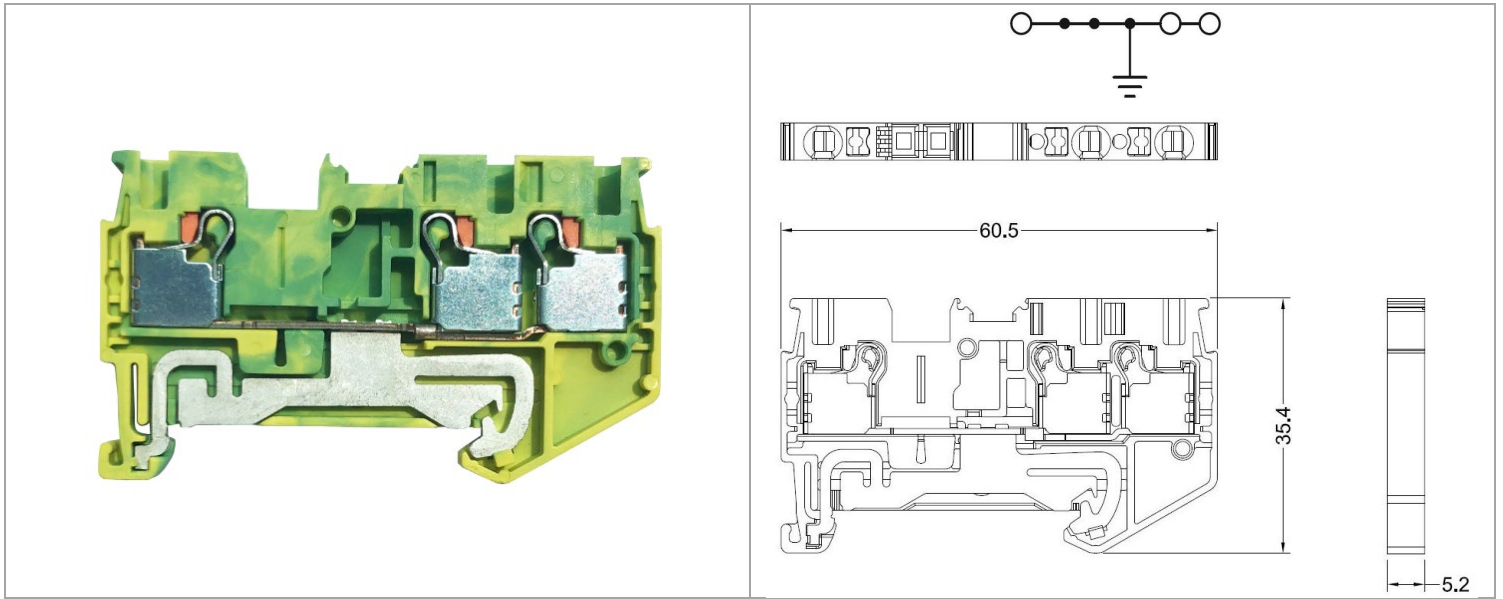


DPT2.5/3-PE

端子台 > Push-in軌道式接線端子台



目錄僅供參考，實際規格仍依照產品工程圖面為準

產品介紹 Product Description

標準法規 Standards and Regulations

IEC認證參數 IEC Connection data (60947-7-2)

額定電壓Nominal voltage UN	800V
mm ² /AWG/kcmil	0.14 ~2.5

UL認證參數UL Recognized

B	
額定電壓Nominal voltage UN	600V
mm ² /AWG/kcmil	26~12
C	
額定電壓Nominal voltage UN	600V
mm ² /AWG/kcmil	26~12


cUL認證參數cUL Recognized

B	
額定電壓Nominal voltage UN	600V
mm ² /AWG/kcmil	26~12
C	
額定電壓Nominal voltage UN	600V
mm ² /AWG/kcmil	26~12

商務資料 Key Commercial Data

包裝單位 Packing unit	1 PCS
MOQ Minimum order quantity	50PCS
條碼GTIN	
產品重量 Weight per Piece (excluding packing)	12.06g
訂貨碼 Custom tariff number	
原產地Country of origin	CN

材料資訊 Material information

絕緣材料Insulating material	PA66
符合UL 94的可燃性等級 Flammability rating according to UL 94	V0
產品顏色 Color	
最大工作溫度°C Continuous operating temp., max.	105°C
最小工作溫度°C Continuous operating temp., min.	-40°C

外型尺寸 Dimensions

寬度 Width	60.5mm
長度Length	5.2mm
高度Height	35.4mm
高度Height NS 35/7,5	36.5mm
高度Height NS 35/15	44mm

一般資訊 General information

產品連接數Number of connections	3
產品電位Potentials	1
標籤寬度Nominal cross section	5.2mm
安裝指導Installation Advice	Rail Mounting(導軌安裝)
應用領域 Area of application	鐵路行業
	機械製造
	工廠工程
軌道條Type of mounting	TS35/7.5
	TS35/15
額定浪湧電壓 Rated surge voltage	8 Kv
汙染程度 Degree of pollution	3
過電壓類別 Overvoltage category	III
絕緣材料組 Insulating material group	I
側邊為開放式 Open side panel	yes
手背防護Back of the hand protection	guaranteed
手指保護 Finger protection	guaranteed

連接數據 Connection data

連接 Connection	1
連接方式 Connection method	Push in
撥線長度 Stripping length	8~10mm
針對管狀端頭H1/10和H1.5/10須應用的剝線長度 For the wire end ferrules H1/10 and H1.5/10 of stripping length is to apply.	12mm
單芯導線 Solid conductor(mm ²)	0.14 mm ² ~2.5mm ²
單芯導線 Solid conductor (AWG)	26~12AWG
細多芯導線 Fine-stranded conductor(mm ²)	0.14 mm ² ~2.5mm ²
細多芯導線 Fine-stranded conductor (AWG)	26~12AWG
導線連接截面積，多股導線，帶管狀端頭 DIN 46228/1 Wire connection cross-section, stranded conductor with wire-end ferrules DIN 46228/1	0.5 mm ² ~2.5 mm ²
導線連接截面積，多股導線，帶管狀端頭 DIN 46228/4 Wire connection cross-section, stranded conductor with wire-end ferrules DIN 46228/4	0.14 mm ² ~2.5 mm ²
螺絲刀口尺寸 Blade size	0.4 x 3.5mm

環保產品合規 Environmental Product Compliance

China RoHS	
