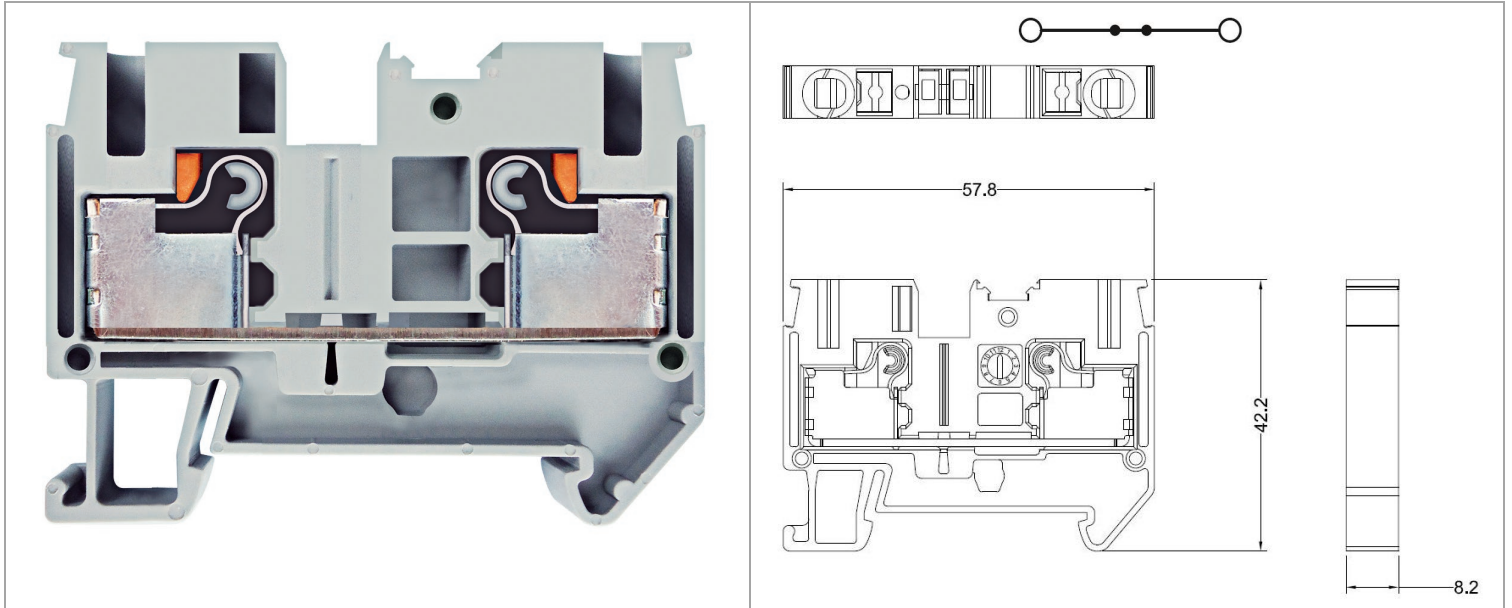


DPT6

端子台 > Push-in軌道式接線端子台



目錄僅供參考，實際規格仍依照產品工程圖面為準

產品介紹 Product Description

標準法規 Standards and Regulations

IEC認證參數 IEC Connection data (60947-7-1) **CE**

| | |
|----------------------------|----------|
| 額定電壓Nominal voltage UN | 1000V |
| 額定電流Nominal current IN | 41A |
| mm ² /AWG/kcmil | 0.5 ~6.0 |

UL認證參數 UL Recognized

| | |
|----------------------------|------|
| B | |
| 額定電壓Nominal voltage UN | 600V |
| 額定電流Nominal current IN | 43A |
| mm ² /AWG/kcmil | 20~8 |
| C | |
| 額定電壓Nominal voltage UN | 600V |
| 額定電流Nominal current IN | 43A |
| mm ² /AWG/kcmil | 20~8 |


cUL認證參數 cUL Recognized **cUL** [®] **us**

| | |
|----------------------------|------|
| B | |
| 額定電壓Nominal voltage UN | 600V |
| 額定電流Nominal current IN | 43A |
| mm ² /AWG/kcmil | 20~8 |
| C | |
| 額定電壓Nominal voltage UN | 600V |
| 額定電流Nominal current IN | 43A |
| mm ² /AWG/kcmil | 20~8 |

商務資料 Key Commercial Data

| | |
|---|--------|
| 包裝單位 Packing unit | 1 PCS |
| MOQ Minimum order quantity | 50PCS |
| 條碼GTIN | |
| 產品重量 Weight per Piece (excluding packing) | 15.72g |
| 訂貨碼 Custom tariff number | |
| 原產地Country of origin | CN |

材料資訊 Material information

| | |
|--|---|
| 絕緣材料Insulating material | PA66 |
| 符合UL 94的可燃性等級 Flammability rating according to UL 94 | V0 |
| 產品顏色 Color |  |
| 最大工作溫度°C Continuous operating temp., max. | 105°C |
| 最小工作溫度°C Continuous operating temp., min. | -40°C |

外型尺寸 Dimensions

| | |
|--------------------|--------|
| 寬度 Width | 57.8mm |
| 長度Length | 8.2mm |
| 高度Height | 42.2mm |
| 高度Height NS 35/7,5 | 43.7mm |
| 高度Height NS 35/15 | 51.2mm |

一般資訊 General information

| | |
|--|---------------------|
| 產品連接數Number of connections | 2 |
| 產品電位Potentials | 1 |
| 標籤寬度Nominal cross section | 8.2mm |
| 安裝指導Installation Advice | Rail Mounting(導軌安裝) |
| 應用領域 Area of application | 鐵路行業 |
| | 機械製造 |
| | 工廠工程 |
| 軌道條Type of mounting | TS35/7.5 |
| | TS35/15 |
| 額定浪湧電壓 Rated surge voltage | 8 Kv |
| 汙染程度 Degree of pollution | 3 |
| 過電壓類別 Overvoltage category | III |
| 絕緣材料組 Insulating material group | I |
| 額定條件下的最大功耗 Maximum power dissipation for nominal condition | 1.31W |
| 最大負載電流 Maximum load current | 43A |
| 側邊為開放式 Open side panel | Yes |
| 手背防護Back of the hand protection | guaranteed |
| 手指保護 Finger protection | guaranteed |

連接數據 Connection data

| | |
|--|---------|
| 連接 Connection | 1 |
| 連接方式Connection method | Push in |
| 撥線長度Stripping length | 10~12mm |
| 針對管狀端頭H1/10和H1.5/10須應用的剝線長度 For the wire end ferrules H1/10 and H1.5/10 of stripping length is to apply. | 14mm |

| | |
|--|---|
| 單芯導線 Solid conductor(mm ²) | 0.5 mm ² ~6.0mm ² |
| 單芯導線 Solid conductor (AWG) | 20~8AWG |
| 細多芯導線 Fine-stranded conductor(mm ²) | 0.5 mm ² ~6.0mm ² |
| 細多芯導線 Fine-stranded conductor (AWG) | 20~8AWG |
| 導線連接截面積，多股導線，帶管狀端頭 DIN 46228/1 Wire connection cross-section, stranded conductor with wire-end ferrules DIN 46228/1 | 0.5 mm ² ~6.0mm ² |
| 導線連接截面積，多股導線，帶管狀端頭 DIN 46228/4 Wire connection cross-section, stranded conductor with wire-end ferrules DIN 46228/4 | 0.5 mm ² ~6.0mm ² |
| 螺絲刀口尺寸 Blade size | 0.4 x 4.0 mm |

環保產品合規 Environmental Product Compliance

China RoHS

RoHS
Compliant