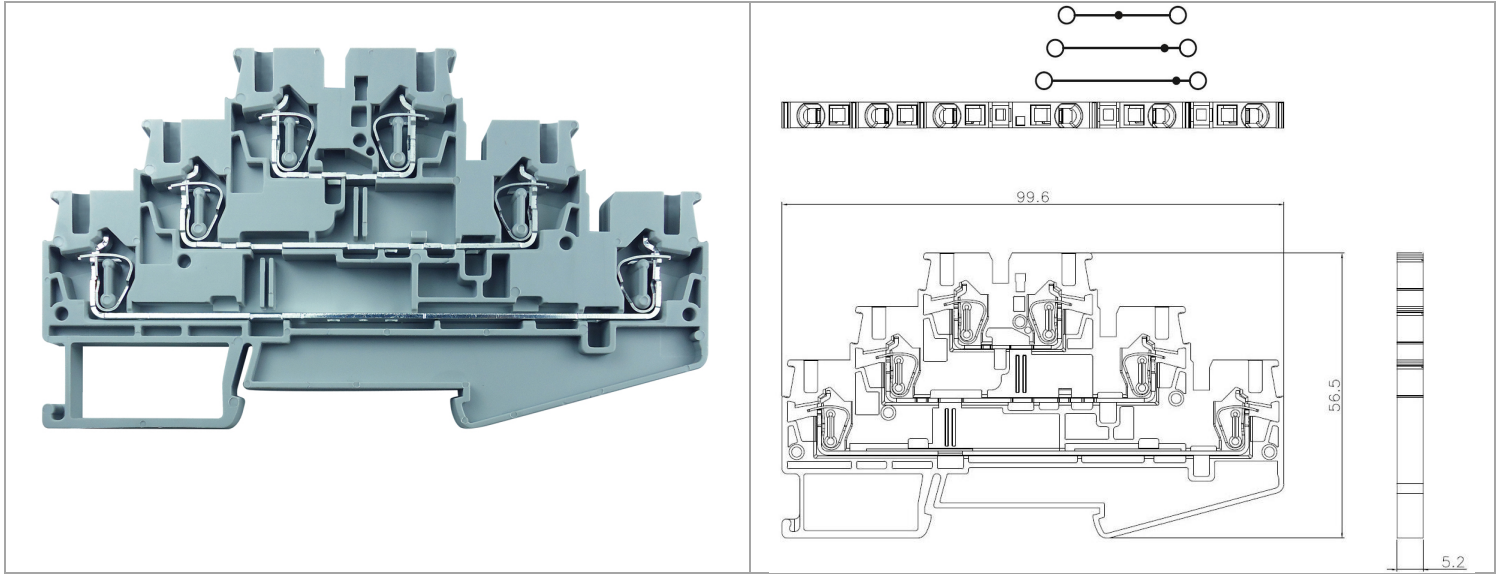


## DST2.5-3L-D

端子台 > 回拉式彈簧連接軌道端子



目錄僅供參考，實際規格仍依照產品工程圖面為準

### 產品介紹 Product Description

### 標準法規 Standards and Regulations

#### IEC認證參數 IEC Connection data (60947-7-1)

額定電壓Nominal voltage UN	500V
額定電流Nominal current IN	26A
mm <sup>2</sup> /AWG/kcmil	0.08 ~2.5

#### UL認證參數 UL Recognized

<b>B</b>	
額定電壓Nominal voltage UN	300V
額定電流Nominal current IN	20A
mm <sup>2</sup> /AWG/kcmil	28~12
<b>C</b>	
額定電壓Nominal voltage UN	300V
額定電流Nominal current IN	20A
mm <sup>2</sup> /AWG/kcmil	28~12


#### cUL認證參數 cUL Recognized

<b>B</b>	
額定電壓Nominal voltage UN	300V
額定電流Nominal current IN	20A
mm <sup>2</sup> /AWG/kcmil	28~12
<b>C</b>	
額定電壓Nominal voltage UN	300V
額定電流Nominal current IN	20A
mm <sup>2</sup> /AWG/kcmil	28~12

### 商務資料 Key Commercial Data

包裝單位 Packing unit	1 PCS
MOQ Minimum order quantity	50PCS
條碼GTIN	
產品重量 Weight per Piece (excluding packing)	17.08g
訂貨碼 Custom tariff number	
原產地Country of origin	CN

## 材料資訊 Material information

絕緣材料Insulating material	PA66
符合UL 94的可燃性等級 Flammability rating according to UL 94	V0
產品顏色 Color	
最大工作溫度°C Continuous operating temp., max.	105°C
最小工作溫度°C Continuous operating temp., min.	-40°C

## 外型尺寸 Dimensions

寬度 Width	99.6mm
長度Length	5.2mm
高度Height	56.5mm
高度Height NS 35/7,5	58.0mm
高度Height NS 35/15	65.5mm

## 一般資訊 General information

產品連接數Number of connections	6
產品電位Potentials	3
標籤寬度Nominal cross section	5.2mm
安裝指導Installation Advice	Rail Mounting(導軌安裝)
應用領域 Area of application	鐵路行業
	機械製造
	工廠工程
軌道條Type of mounting	TS35/7.5
	TS35/15
額定浪湧電壓 Rated surge voltage	6 Kv
汙染程度 Degree of pollution	3
過電壓類別 Overvoltage category	III
絕緣材料組 Insulating material group	I
額定條件下的最大功耗 Maximum power dissipation for nominal condition	0.77W
最大負載電流 Maximum load current	26A
側邊為開放式 Open side panel	yes
手背防護Back of the hand protection	guaranteed
手指保護 Finger protection	guaranteed

## 連接數據 Connection data

連接 Connection	2
連接方式Connection method	Push in
撥線長度Stripping length	8~10mm
針對管狀端頭H1/10和H1.5/10須應用的剝線長度 For the wire end ferrules H1/10 and H1.5/10 of stripping length is to apply.	12mm
單芯導線 Solid conductor(mm <sup>2</sup> )	0.08 mm <sup>2</sup> ~2.5mm <sup>2</sup>

單芯導線 Solid conductor (AWG)	28~12AWG
細多芯導線 Fine-stranded conductor(mm <sup>2</sup> )	0.08 mm <sup>2</sup> ~2.5mm <sup>2</sup>
細多芯導線 Fine-stranded conductor (AWG)	28~12AWG
導線連接截面積，多股導線，帶管狀端頭 DIN 46228/1 Wire connection cross-section, stranded conductor with wire-end ferrules DIN 46228/1	0.5 mm <sup>2</sup> ~2.5 mm <sup>2</sup>
導線連接截面積，多股導線，帶管狀端頭 DIN 46228/4 Wire connection cross-section, stranded conductor with wire-end ferrules DIN 46228/4	0.14 mm <sup>2</sup> ~2.5 mm <sup>2</sup>
螺絲刀口尺寸 Blade size	0.4 x 3.5mm

## 環保產品合規 Environmental Product Compliance

China RoHS	
<b>RoHS</b> Compliant	