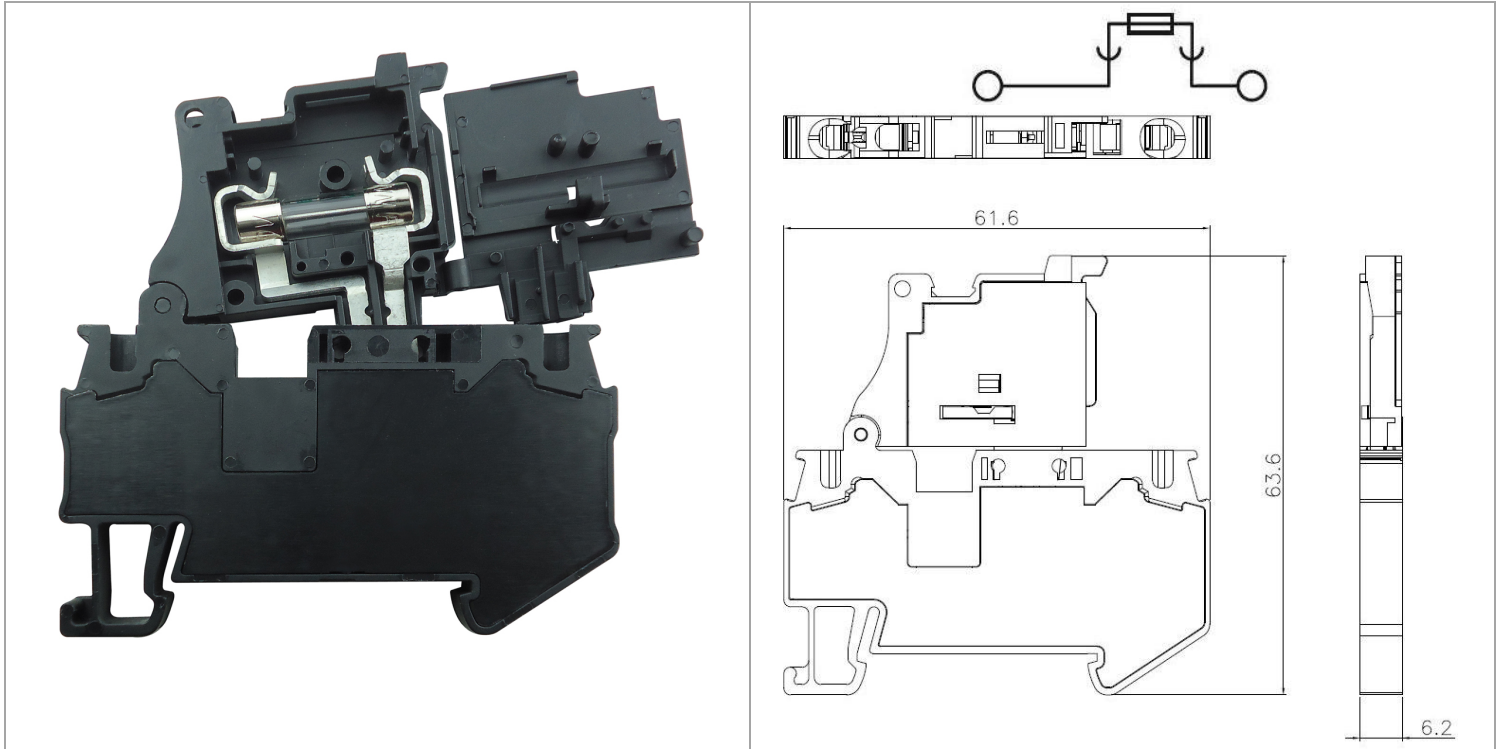


## DST4-HESI-D

端子台 > 回拉式彈簧連接軌道端子



目錄僅供參考，實際規格仍依照產品工程圖面為準

### 產品介紹 Product Description

### 標準法規 Standards and Regulations

#### IEC 認證參數 IEC Connection data (60947-7-1) **CE**

額定電壓 Nominal voltage UN	500V
額定電流 Nominal current IN	6.3A
mm <sup>2</sup> /AWG/kcmil	0.08 ~4.0

#### UL 認證參數 UL Recognized

<b>B</b>	
額定電壓 Nominal voltage UN	600V
額定電流 Nominal current IN	10A
mm <sup>2</sup> /AWG/kcmil	28~10
<b>C</b>	
額定電壓 Nominal voltage UN	600V
額定電流 Nominal current IN	10A
mm <sup>2</sup> /AWG/kcmil	28~10

#### cUL 認證參數 cUL Recognized **cUL** **us**


<b>B</b>	
額定電壓 Nominal voltage UN	600V
額定電流 Nominal current IN	10A
mm <sup>2</sup> /AWG/kcmil	28~10
<b>C</b>	
額定電壓 Nominal voltage UN	600V

額定電流Nominal current IN	10A
mm <sup>2</sup> /AWG/kcmil	28~10

## 商務資料 Key Commercial Data

包裝單位 Packing unit	1 PCS
MOQ Minimum order quantity	20PCS
條碼GTIN	
產品重量 Weight per Piece (excluding packing)	g
訂貨碼 Custom tariff number	
原產地Country of origin	CN

## 材料資訊 Material information

絕緣材料Insulating material	PA66
符合UL 94的可燃性等級 Flammability rating according to UL 94	V0
產品顏色 Color	
最大工作溫度°C Continuous operating temp., max.	105°C
最小工作溫度°C Continuous operating temp., min.	-40°C

## 外型尺寸 Dimensions

寬度 Width	61.6mm
長度Length	6.2mm
高度Height	63.6mm
高度Height NS 35/7,5	65.0mm
高度Height NS 35/15	72.5mm

## 一般資訊 General information

產品連接數Number of connections	2
產品電位Potentials	1
標籤寬度Nominal cross section	6.2mm
安裝指導Installation Advice	Rail Mounting(導軌安裝)
應用領域 Area of application	鐵路行業 機械製造 工廠工程
軌道條Type of mounting	TS35/7.5 TS35/15
額定浪湧電壓 Rated surge voltage	6 Kv
汙染程度 Degree of pollution	3
過電壓類別 Overvoltage category	III
絕緣材料組 Insulating material group	I
額定條件下的最大功耗 Maximum power dissipation for nominal condition	1.6W
保險絲Fuse(mm)	G/ 5 × 20
保險絲類別Fuse type	Glass玻璃/ ceramics陶瓷/ ...
最大負載電流 Maximum load current	6.3A
側邊為開放式 Open side panel	Yes
手背防護Back of the hand protection	guaranteed
手指保護 Finger protection	guaranteed

## 連接數據 Connection data

連接 Connection	1
---------------	---

連接方式 Connection method	Push in
撥線長度 Stripping length	10~12mm
針對管狀端頭 H1/10 和 H1.5/10 須應用的剝線長度 For the wire end ferrules H1/10 and H1.5/10 of stripping length is to apply.	14mm
單芯導線 Solid conductor (mm <sup>2</sup> )	0.08 mm <sup>2</sup> ~4.0mm <sup>2</sup>
單芯導線 Solid conductor (AWG)	28~10AWG
細多芯導線 Fine-stranded conductor (mm <sup>2</sup> )	0.08 mm <sup>2</sup> ~4.0mm <sup>2</sup>
細多芯導線 Fine-stranded conductor (AWG)	28~10AWG
導線連接截面積，多股導線，帶管狀端頭 DIN 46228/1 Wire connection cross-section, stranded conductor with wire-end ferrules DIN 46228/1	0.5 mm <sup>2</sup> ~4.0mm <sup>2</sup>
導線連接截面積，多股導線，帶管狀端頭 DIN 46228/4 Wire connection cross-section, stranded conductor with wire-end ferrules DIN 46228/4	0.08 mm <sup>2</sup> ~4.0mm <sup>2</sup>
螺絲刀口尺寸 Blade size	0.4 x 4.0mm

## 環保產品合規 Environmental Product Compliance

China RoHS	
<b>RoHS</b> Compliant	