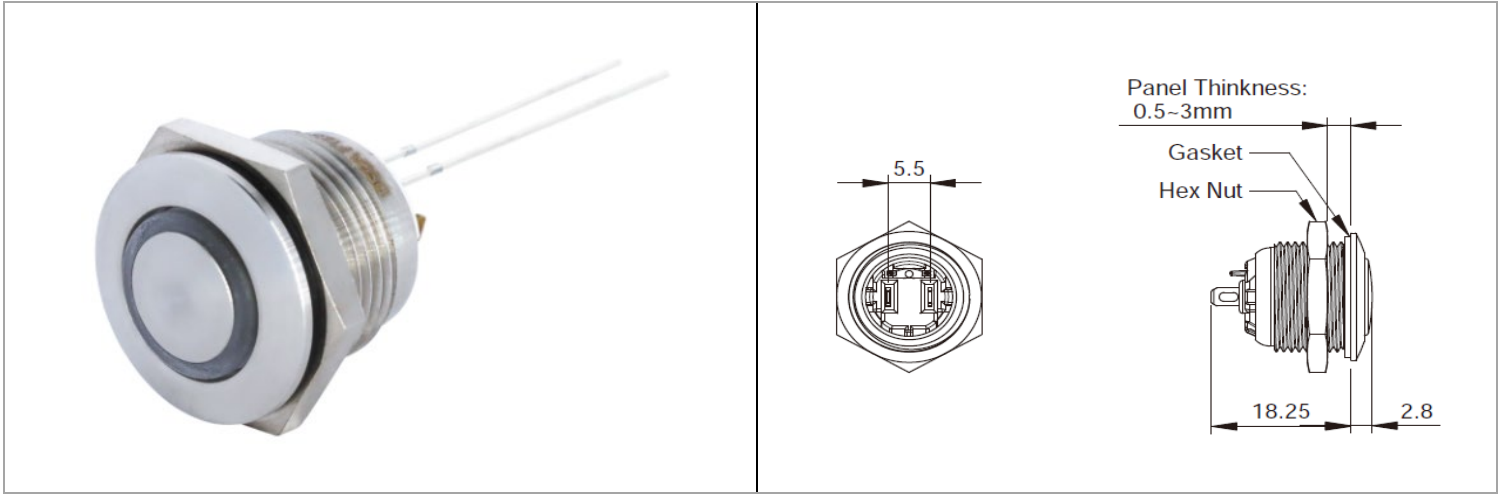


## F12S1-x21xxDx002

工業開關 > 金屬開關



目錄僅供參考，實際規格仍依照產品工程圖面為準

### 產品介紹 Product Description

### 應用標準 Application Standards

UL(UL508,CSA-C22.2 No. 14)	
AC General	48V/0.1A
AC resistance	48V/0.1A
DC resistance	48V/0.1A
CCC(GB/T14048.5-2017)	
Ui	48V
Ith	0.1A
Uimp	2.5kV
AC -12	48V/0.1A
AC -15	48V/0.1A
DC -12	48V/0.1A
DC -13	48V/0.1A
IP	IP67
CCS(Chapter 3, Part 1 of CCS 2015 )	
Ui	48V
Ith	0.1A
TÜV(EN60947-1:2007/A1:2011,EN60947-5-1:2004/A1:2009)	
DC-12	48V/0.1A
DC-13	48V/0.1A
IP	IP67
Pollution degree	2

F12S1-	☐	☐	☐	☐	☐	☐	☐	☐	☐☐
Function	IP	Contacts	LED Voltage	LED Color	Actuator Options	Material Finish	Direction function	Lens Color	Mark
1: Momentary 2: Maintained	2:IP67	1: 1 NO	0: None 2: 6V 3: 12V 4: 24V	N: None G: Green R: Red A: Amber B: Blue W: White	F: Flush P: Prominent D: Domed	S: Stainless Steel P: Brushed Stainless Steel A: Aluminum B: Black Aluminum	blank: standard 1: with fixed positio	0: None G: Green R: Red A: Amber B: Blue	00: None 01: Dot 02: Ring

## 技術規格 Technical Data

Dielectric Strength	Between live part and ground: 2,000V AC, 1 min. Between terminals of the same poles: 1,000V AC, 1 min.
Contact Resistance	50 mΩ maximum (initial value)
Insulation Resistance	100 MΩ minimum
Operating Humidity	45 to 85% RH (no condensation)
Storage Temperature	- 30 to +80°C (no freezing)
Operating Temperature	- 25 to +50°C (no freezing)
LED Operating Temperature	-25°C to +80°C (no freezing)
Vibration Resistance	Operating extremes/Damage limits: 5 to 55 Hz, amplitude 0.5 mm
Shock Resistance	Damage limits: 500 m/s <sup>2</sup> Operating extremes: 200 m/s <sup>2</sup>
Mechanical Life	Momentary: 1,000,000 Maintained: 100,000
Electrical Life	50,000
Terminal Style	Solder terminal
Button travel (nominal)	2.6mm
Operating Force (nominal)	2N
Torque (max)	3.5Nm
Weight (approx.)	11/7g