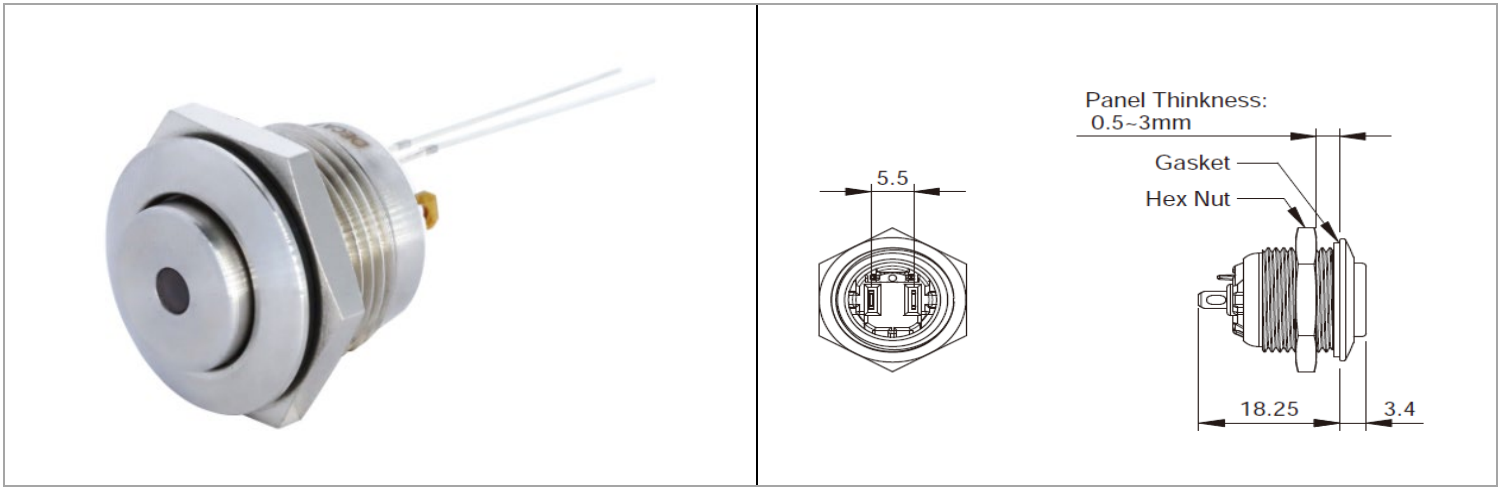


## F12S1-x21xxPx001

工業開關 > 金屬開關



目錄僅供參考，實際規格仍依照產品工程圖面為準

### 產品介紹 Product Description

### 應用標準 Application Standards

|   |          |
|---|----------|
| <i>UL(UL508,CSA-C22.2 No. 14)</i>                           |          |
| AC General  | 48V/0.1A |
| AC resistance   | 48V/0.1A |
| DC resistance   | 48V/0.1A |
| <i>CCC(GB/T14048.5-2017)</i>                                |          |
| Ui  | 48V      |
| Ith   | 0.1A     |
| Uimp  | 2.5kV    |
| AC -12  | 48V/0.1A |
| AC -15  | 48V/0.1A |
| DC -12  | 48V/0.1A |
| DC -13  | 48V/0.1A |
| IP  | IP67     |
| <i>CCS(Chapter 3, Part 1 of CCS 2015 )</i>                  |          |
| Ui  | 48V      |
| Ith   | 0.1A     |
| <i>TÜV(EN60947-1:2007/A1:2011,EN60947-5-1:2004/A1:2009)</i> |          |
| DC-12   | 48V/0.1A |
| DC-13   | 48V/0.1A |
| IP  | IP67     |
| Pollution degree  | 2        |

|   |               |                     |   |   |  |   |  |  |   |    |
|---|---------------|---------------------|---|---|--|---|--|--|---|----|
| F12S1-                                    | □             | □                   | □   | □   | □  | □   | □  | □  | □                                       | □□ |
| Function<br>1: Momentary<br>2: Maintained | IP<br>2: IP67 | Contacts<br>1: 1 NO | LED Voltage<br>0: None<br>2: 6V<br>3: 12V<br>4: 24V | LED Color<br>N: None<br>G: Green<br>R: Red<br>A: Amber<br>B: Blue<br>W: White | Actuator Options<br>F: Flush<br>P: Prominent<br>D: Domed | Material Finish<br>S: Stainless Steel<br>P: Brushed Stainless Steel<br>A: Aluminum<br>B: Black Aluminum | Direction function<br>blank: standard<br>1: with fixed positio | Lens Color<br>0: None<br>G: Green<br>R: Red<br>A: Amber<br>B: Blue | Mark<br>00: None<br>01: Dot<br>02: Ring |    |

## 技術規格 Technical Data

|                           |   |
|---------------------------|---|
| Dielectric Strength       | Between live part and ground:<br>2,000V AC, 1 min.<br>Between terminals of the same poles:<br>1,000V AC, 1 min. |
| Contact Resistance        | 50 mΩ maximum<br>(initial value)  |
| Insulation Resistance     | 100 MΩ minimum  |
| Operating Humidity        | 45 to 85% RH<br>(no condensation)   |
| Storage Temperature       | - 30 to +80°C<br>(no freezing)  |
| Operating Temperature     | - 25 to +50°C<br>(no freezing)  |
| LED Operating Temperature | -25°C to +80°C<br>(no freezing)   |
| Vibration Resistance      | Operating extremes/Damage limits:<br>5 to 55 Hz, amplitude 0.5 mm   |
| Shock Resistance          | Damage limits: 500 m/s <sup>2</sup><br>Operating extremes: 200 m/s <sup>2</sup>                                 |
| Mechanical Life           | Momentary: 1,000,000<br>Maintained: 100,000   |
| Electrical Life           | 50,000  |
| Terminal Style            | Solder terminal   |
| Button travel (nominal)   | 2.6mm   |
| Operating Force (nominal) | 2N  |
| Torque (max)              | 3.5Nm   |
| Weight (approx.)          | 11/7g   |