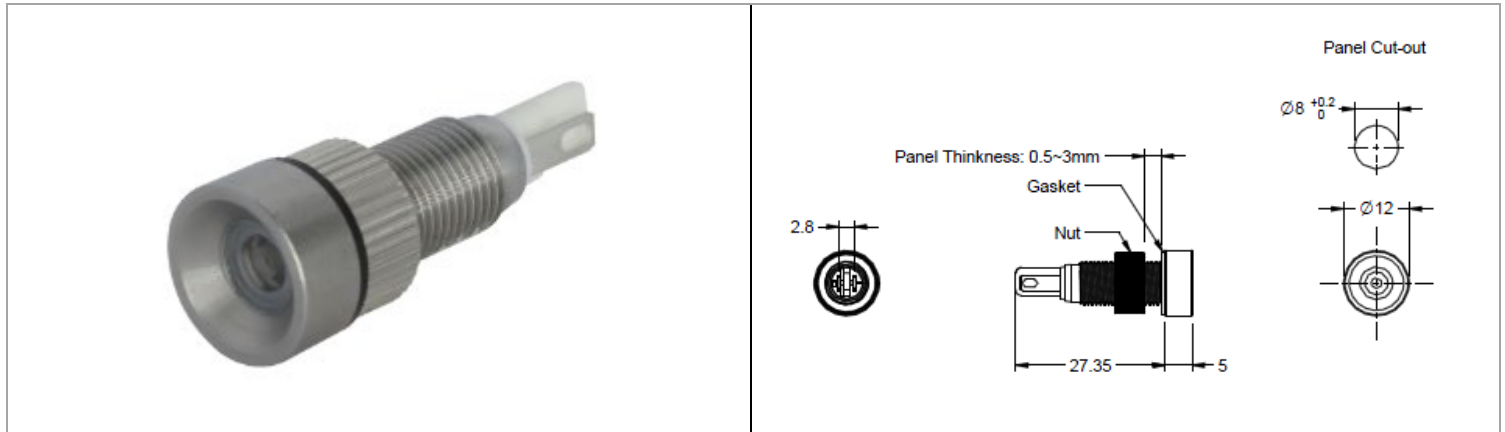


F46L1-N21xxFx2x00

工業開關 > 金屬指示燈



目錄僅供參考，實際規格仍依照產品工程圖面為準

產品介紹 Product Description

應用標準 Application Standards

UL(UL508,CSA-C22.2 No. 14)	
DC resistive	24V / 10mA
Maximum Ambient Temperature	70°C

F46L1-	<input type="checkbox"/>	<input type="checkbox"/>	<input type="checkbox"/>	<input type="checkbox"/>	<input type="checkbox"/>	<input type="checkbox"/>	<input type="checkbox"/>	<input type="checkbox"/>	<input type="checkbox"/>	<input type="checkbox"/>
Function	IP	Contacts	LED Voltage	LED Color	Plastic Bezel	Material Finish	Metal Bezel	Lens Color	Mark	
N: None	2:IP67	1:1LED 2Terminal	2: 6V 3: 12V 4: 24V 5: 3V	G: Green R: Red A: Amber B: Blue W: White	F: Flush P: Prominent	S: Stainless Steel P: Brushed Stainless Steel A: Aluminum B: Black Aluminum	blank:Standard 1:Flush 2:Recessed 3:Prominent	0: None G: Green R: Red A: Amber B: Blue	00: None	

技術規格 Technical Data

LED Life (reference value)	50,000 hours
Rated voltage	DC
Operating Humidity	45 to 85% RH
Storage Temperature	- 40 to +85°C
Operating Temperature	- 25 to +70°C
Terminal Style	Solder terminal
Weight (approx.)	8g (Stainless Steel)
Degree of protection	IP67