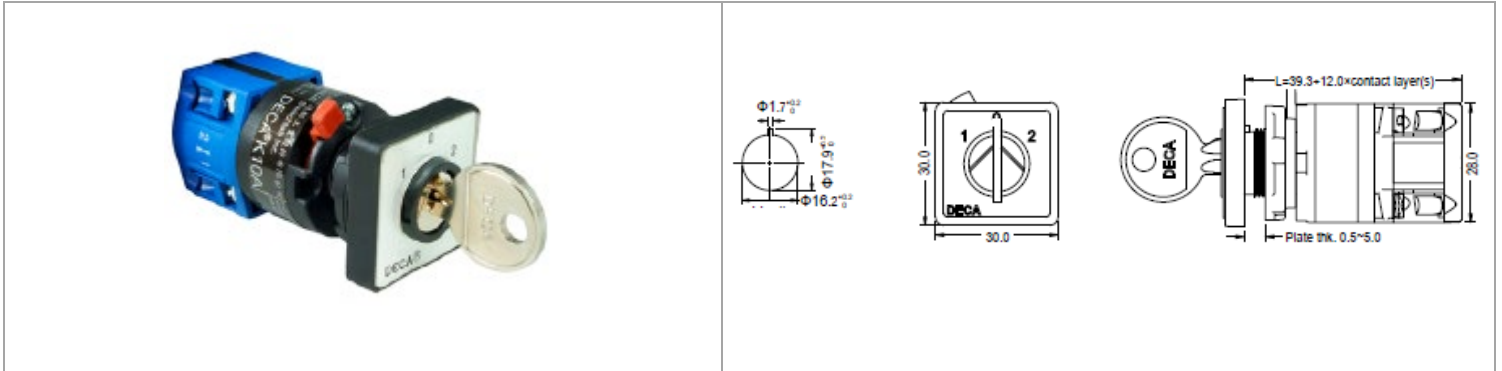


## K10



目錄僅供參考，實際規格仍依照產品工程圖面為準

### 產品介紹 Product Description

### 產品規格

Rated Insulation Voltage $U_i$ 額定絕緣電壓 ( $U_i$ )	690V
Rated Impulse Withstand Voltage $U_{imp}$ 額定衝擊耐受電壓 ( $U_{imp}$ )	4KV
Rated Thermal Current $I_u/I_{th}$ 額定通電電流 ( $I_u/I_{th}$ )	10A
額定使用電流 AC-15 220 V-240 V	2.5A
額定使用電流 AC-15 380 V-440 V	1.5A
Breaking capacity 220 V-240 V	50A
Breaking capacity 380 V-440 V	50A
Breaking capacity 660 V-690 V	-
Max. fuse size (gG-characteristic)	10A
Rated short-time withstand current (1s-current)	60A
Ambient Temperature of Stages open at 100% $I_u/I_{th}$ 開放空間環境溫度	-25~55°C during 24 hrs with peaks up to 60°C
Ambient Temperature of Stages enclosed at 100% $I_{the}$ 密閉空間環境溫度	
Staget temperature (in case of temperature below -5°C no shock load permissible) 儲存溫度	-40 to 85°C
AC-3 3 phase 3 pole 220 V-240 V	1.5 kW
AC-3 3 phase 3 pole 380 V-440 V	2.2 kW
AC-3 3 phase 3 pole 500 V	-
AC-3 3 phase 3 pole 660 V-690 V	-
AC-3 1 phase 2 pole 220 V-240 V	0.55 kW
AC-3 1 phase 2 pole 380 V-440 V	0.75 kW
AC-23 3 phase 3 pole 220 V-240 V	1.8 kW
AC-23 3 phase 3 pole 380 V-440 V	3 kW
AC-23 3 phase 3 pole 500 V	-
AC-23 3 phase 3 pole 660 V-690 V	-
DOL-Rating (similar AC-3) 3 phase 3 pole 220 V-240 V	1 HP
DOL-Rating (similar AC-3) 1 phase 2 pole 220 V-240 V	0.75 HP
Max Permissible Wire Gage - Use copper wire only	2x
Single-core or standard wire	1.5 mm <sup>2</sup>
Single-core or standard wire	14 AWG
Flexible wire	1.5 mm <sup>2</sup>
(sleeving in accordance with DIN 46228)	(1) mm <sup>2</sup>
Flexible AWG wires (without sleeve)	16 AWG
Tightening torque of screws	0.5~0.6 Nm

防護等級 ( option )	IP40~65
機械壽命	1000000次
容許操作頻率-電氣	150次/h (參考)
線徑	12~14AWG

## 外觀尺寸

外觀圖(含尺寸)	圖示 (mm)
尺寸 產品淨寬	圖示 (mm)
尺寸 產品淨高	圖示 (mm)
尺寸 產品淨長	圖示 (mm)
接點塊層數	圖示 (1~8)

## 安裝說明

安裝孔說明 (mm)	圖示 (mm)
面板厚度 (mm)	圖示 (mm)

## 安全認證

UL,CSA,3C,EAC,Russian Federation,Lloyds Register EMEA...	UL,CE,3C
IEC60947-3,EN60947-3, VDE 0660 part 107...	符合標準規範