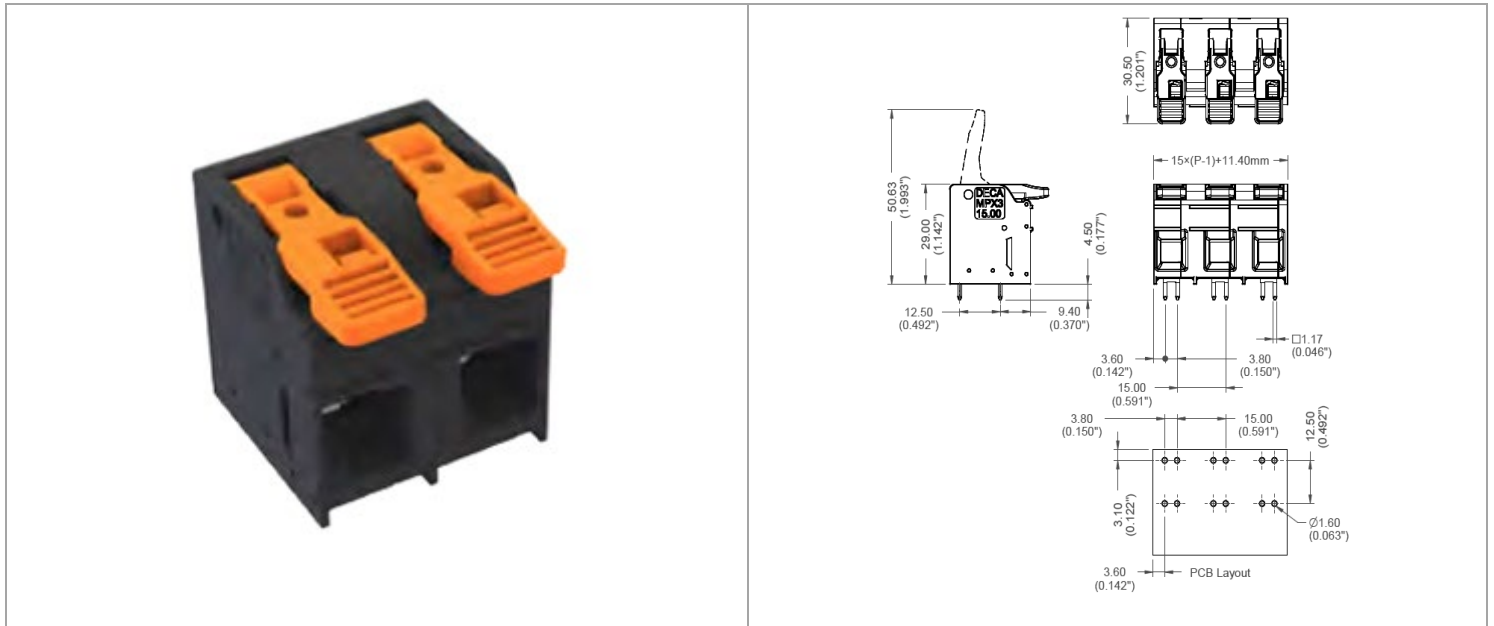


MPX315-1505xxK

端子台 > 歐規端子台



目錄僅供參考，實際規格仍依照產品工程圖面為準

產品介紹 Product Description

PCB Terminal Blocks , Push in, Pitch : 10.00 mm /Product data IEC: 1000V / 76A / Product data UL: 600V, 66A

一般資料 General information

| | |
|--------------------------------------|---------------------|
| 產品類型 Category | PCB Terminal Block |
| Conductor entry angle to the PCB | 0° |
| 產品間距 (mm) Pitch (mm) | 15.00 |
| 產品顏色 Color | Black (default) |
| 接線方式 Connection method | Push in |
| 固定方式 Type of locking | Without |
| 焊接方式 Soldering method | Wave soldering |
| 產品長度 (mm) Length (mm) | 15.00x(P-1) + 11.40 |
| 產品寬度 (mm) Width (mm) | 25 |
| 產品高度 (mm) Height (mm) | 29 |
| 出腳長度 (mm) Solder pin length (mm) | 4.5 |
| 出腳尺寸 (mm) Solder pin dimensions (mm) | 1.2×1.2 |
| 焊孔直徑 (mm) PCB hole diameter (mm) | 1.6 |
| 位數 Number of positions | 2~8 |
| 產品層數 Number of levels | 1 |

材料資訊 Material information

| | |
|---|--------------|
| 絕緣材料 Insulating material | PA66 |
| 絕緣材料組別 Insulating material group | I |
| 耐燃等級，符合UL94 Flammability rating according to UL94 | V0 |
| 導體材料 Contact material | Copper alloy |
| 導體表面鍍層 Plating of contact surface | tin plated |

連接數據-IEC Connection data-IEC

| | |
|---|--------|
| 額定電流 (A) Rated current (A) | 76 |
| 額定電壓 (II/2)(V) Rated voltage (II/2)(V) | 1000 |
| 額定電壓 (III/2)(V) Rated voltage (III/2) (V) | 1000 |
| 額定電壓 (III/3)(V) Rated voltage (III/3)(V) | 1000 |
| 額定沖擊電壓 (II/2)(KV) Rated impulse voltage (II/2)(KV) | 8 |
| 額定沖擊電壓 (III/2)(KV) Rated impulse voltage (III/2)(KV) | 8 |
| 額定沖擊電壓 (III/3)(KV) Rated impulse voltage (III/3)(KV) | 8 |
| 最小實心導線橫截面積 (mm ²) Conductor cross section solid, min. (mm ²) | 0.75 |
| 最大實心導線橫截面積 (mm ²) Conductor cross section solid, max. (mm ²) | 16.0 |
| 最小軟導線橫截面積 (mm ²) Conductor cross section flexible, min. (mm ²) | 0.75 |
| 最大軟導線橫截面積 (mm ²) Conductor cross section flexible, max. (mm ²) | 16.0 |
| 軟導線橫截面積，最小管型裸端子 (mm ²) Conductor cross section flexible, with ferrule without plastic sleeve, min. (mm ²) | 0.75 |
| 軟導線橫截面積，最大管型裸端子 (mm ²) Conductor cross section flexible, with ferrule without plastic sleeve, max. (mm ²) | 16.0 |
| 軟導線橫截面積，最小管狀預絕緣端子 (mm ²) Conductor cross section flexible, with ferrule with plastic sleeve, min. (mm ²) | 0.75 |
| 軟導線橫截面積，最大管狀預絕緣端子 (mm ²) Conductor cross section flexible, with ferrule with plastic sleeve, max. (mm ²) | 10.0 |
| 具有相同截面積的二根最小軟導線橫截面積，最小管狀預絕緣TWIN端子 (mm ²) 2 conductors with same cross section flexible, with TWIN ferrule with plastic sleeve min. (mm ²) | 0.75 |
| 具有相同截面積的二根最小軟導線橫截面積，最大管狀預絕緣TWIN端子 (mm ²) (mm ²) 2 conductors with same cross section flexible, with TWIN ferrule with plastic sleeve max. (mm ²) | 4 |
| 一字螺絲刀規格 (刃厚__x刃寬__)(mm) Slotted screwdriver size (Blade thickness x Width)(mm) | 本系列免工具 |
| 剝線長度 (mm) Stripping Length (mm) | 17~18 |

連接數據-UL Connection data-UL

| | |
|---|-----|
| 額定電壓 (UL/CUL標準B組)(V) Rated voltage (UL/CUL use group B)(V) | 600 |
| 額定電流 (UL/CUL標準B組)(A) Rated current (UL/CUL use group B)(A) | 66 |
| 額定電壓 (UL/CUL標準C組)(V) Rated voltage (UL/CUL use group C)(V) | 600 |
| 額定電流 (UL/CUL標準C組)(A) Rated current (UL/CUL use group C)(A) | 66 |
| 額定電壓 (UL/CUL標準D組)(V) Rated voltage (UL/CUL use group D)(V) | |
| 額定電流 (UL/CUL標準D組)(A) Rated current (UL/CUL use group D)(A) | |
| 最小實心導線(AWG)，符合UL/CUL Min. solid wire connection (AWG) acc. to UL/CUL | 18 |

| | |
|--|----|
| 最大實心導線(AWG)，符合UL/CUL Max. solid wire connection AWG acc. to UL/CUL | 4 |
| 最小多芯導線(AWG)，符合UL/CUL Min. stranded wire connection AWG acc. to UL/CUL | 18 |
| 最大多芯導線(AWG)，符合UL/CUL Max. stranded wire connection AWG acc. to UL/CUL | 4 |

環境與安全 Environment & Safety

| | |
|---|-----|
| Storage temperature, min. (°C) | -25 |
| Storage temperature, max. (°C) | 55 |
| Max. relative humidity during storage | 70% |
| 備註：以上三欄位為我司端子未來之標準儲存溫度及濕度 | |
| 最高工作溫度 (°C) Operating temperature. max (°C) | 105 |
| 最低工作溫度 (°C) Operating temperature. min (°C) | -40 |

Packaging information

| | |
|-----------------------------|-----|
| Type of packaging (2 pole) | Box |
| pieces per package (2 pole) | 待查詢 |
| Type of packaging (3 pole) | Box |
| pieces per package (3 pole) | 待查詢 |
| Type of packaging (4 pole) | Box |
| pieces per package (4 pole) | 待查詢 |

認證 Approvals

