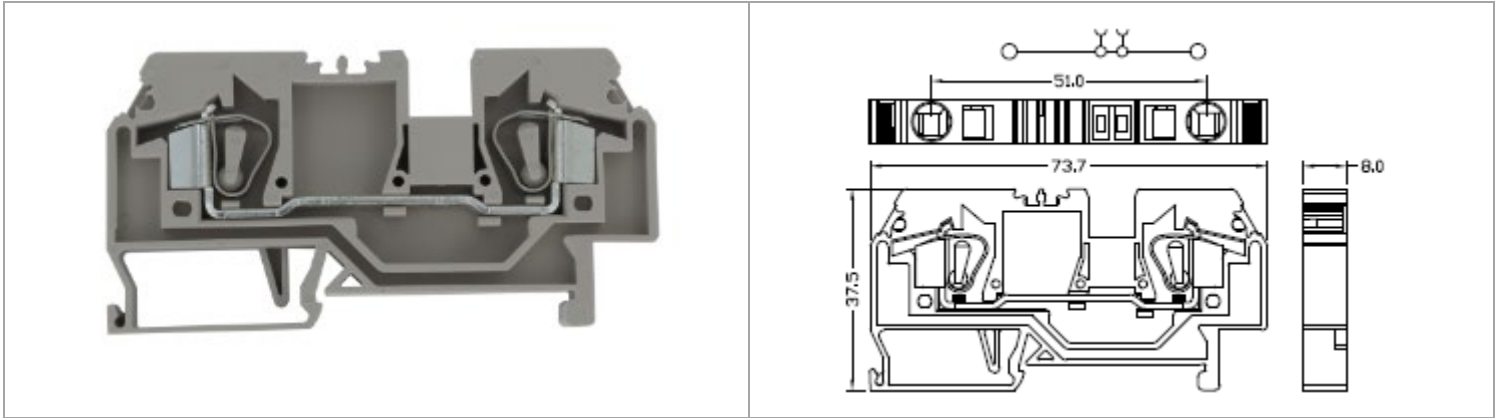


SDU6



目錄僅供參考，實際規格仍依照產品工程圖面為準

產品介紹 Product Description

標準法規 Standards and Regulations

IEC 連接數據 IEC Connection data (60947-7-1)

| | |
|--|---------------------------------------|
| 額定電壓 (V) Rated voltage (V) | 800 |
| 額定電流 (A) Rated current (A) | 41 |
| 導線橫截面積 (mm ²) Conductor cross section (mm ²) | 0.2mm ² ~ 6mm ² |

CSA 連接數據 CSA Connection data

| | |
|-----------------------------|-------|
| 額定電壓 (V) Rated voltage (V) | 600 |
| 額定電流 (A) Rated current (A) | 30 |
| 線徑範圍 (AWG) Wire Range (AWG) | 24~10 |

UL 連接數據 UL Connection data

| | |
|-----------------------------|-------|
| 額定電壓 (V) Rated voltage (V) | 600 |
| 額定電流 (A) Rated current (A) | 30 |
| 線徑範圍 (AWG) Wire Range (AWG) | 24~10 |

CUL 連接數據 CUL Connection data

| | |
|-----------------------------|-------|
| 額定電壓 (V) Rated voltage (V) | 600 |
| 額定電流 (A) Rated current (A) | 30 |
| 線徑範圍 (AWG) Wire Range (AWG) | 24~10 |

商務資料 Key Commercial Data

| | |
|---|--------|
| 包裝單位 Packing unit | 1 PCS |
| MOQ Minimum order quantity | 50 PCS |
| 條碼GTIN | |
| 產品重量 Weight per Piece (excluding packing) | 16 g |
| 訂貨碼 Custom tariff number | |
| 原產地Country of origin | CN |

材料資訊 Material information

| | |
|--|-------|
| 絕緣材料 Insulating material | PA66 |
| 符合UL 94的可燃性等級 Flammability rating according to UL 94 | V0 |
| 產品顏色 Color | Beige |

| | |
|---|-------|
| 最大工作溫度°C Continuous operating temp., max. | 105°C |
| 最小工作溫度°C Continuous operating temp., min. | -40°C |

外型尺寸 Dimensions

| | |
|---------------------|---------|
| 寬度 Width | 73.7 mm |
| 長度 Length | 8 mm |
| 高度 Height | 37.5 mm |
| 高度 Height NS 35/7,5 | 40.4 mm |
| 高度 Height NS 35/15 | 47.9 mm |

一般資訊 General information

| | |
|----------------------------------|---------------------|
| 產品連接數 Number of connections | 2 |
| 產品電位 Potentials | 1 |
| 標籤寬度 Nominal cross section | 6mm |
| 安裝指導 Installation Advice | Rail Mounting(導軌安裝) |
| 應用領域 Area of application | 機電工程 |
| | 能源工程 |
| | 機械工程 |
| | 運輸工程 |
| | 自動工程 |
| 軌道條 Type of mounting | TS35/7.5 |
| | TS35/15 |
| 額定浪湧電壓 Rated surge voltage | 8 Kv |
| 汙染程度 Degree of pollution | 3 |
| 過電壓類別 Overvoltage category | III |
| 絕緣材料組 Insulating material group | I |
| 額定電流 Nominal current IN | 30 |
| 額定電壓 Nominal voltage UN | 600 |
| 側邊為開放式 Open side panel | yes |
| 手背防護 Back of the hand protection | guaranteed |
| 手指保護 Finger protection | guaranteed |

連接數據 Connection data

| | |
|--|-------------------|
| 連接 Connection | 1 |
| 連接方式 Connection method | Cage clamp |
| 撥線長度 Stripping length | 12~13 mm |
| 針對管狀端頭 H1/10 和 H1.5/10 須應用的剝線長度 For the wire end ferrules H1/10 and H1.5/10 of stripping length is to apply. | 12~13 mm |
| 導線連接截面積，多股導線，帶管狀端頭 DIN 46228/1 Wire connection cross-section, stranded conductor with wire-end ferrules DIN 46228/1 | 4 mm ² |
| 導線連接截面積，多股導線，帶管狀端頭 DIN 46228/4 Wire connection cross-section, stranded conductor with wire-end ferrules DIN 46228/4 | 4 mm ² |
| 螺絲刀口尺寸 Blade size | 0.8 x 4mm |
| | |
| | |

環保產品合規 Environmental Product Compliance

| | |
|------------|--|
| China RoHS | |
|------------|--|

RoHS
Compliant