

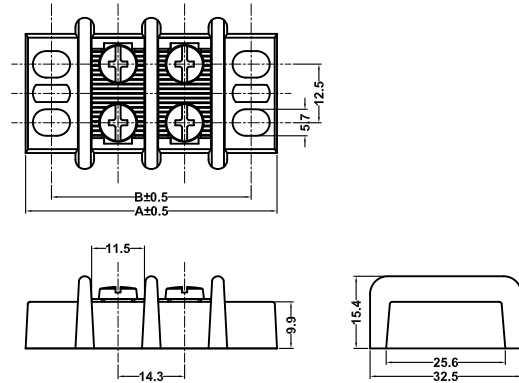
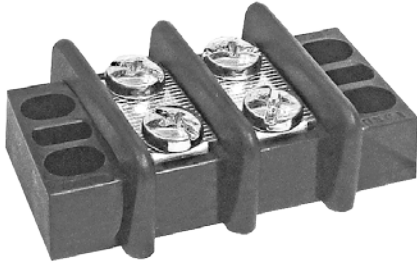
.563" PCB Barrier Terminal Blocks

TYPE: T68

Pitch: 14.30mm

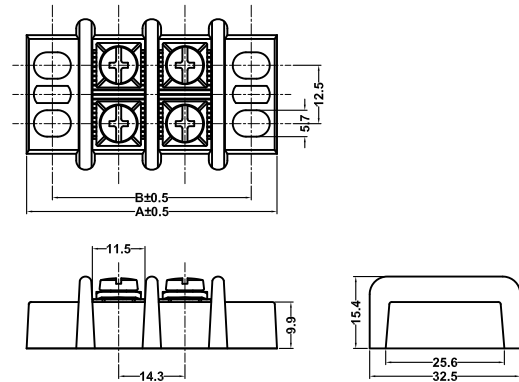
T68-T02

Screw style:T



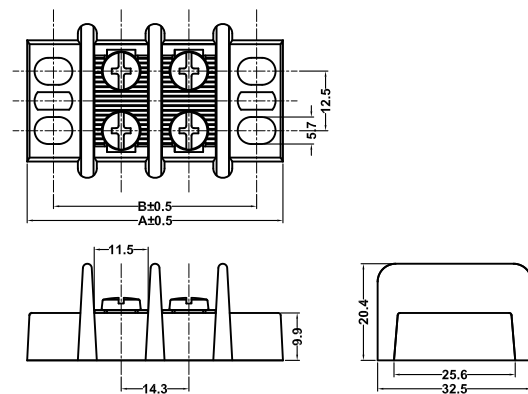
T68-W02

Screw style:W



T68-T02H

Screw style:T



Poles	2	3	4	5	6	7	8	9	10	11	12	13	14	15	16
A(mm)	54.10	68.40	82.70	97.00	111.30	125.60	139.90	154.20	168.50	182.80	197.10	211.40	225.70	240.00	254.30
B(mm)	43.00	57.30	71.60	85.90	100.20	114.50	128.80	143.10	157.40	171.70	186.00	200.30	214.60	228.90	243.20
Poles	17	18	19	20	21	22	23	24	25	26	27	28	29	30	
A(mm)	268.60	282.90													
B(mm)	257.50	271.80													

.563" PCB Barrier Terminal Blocks

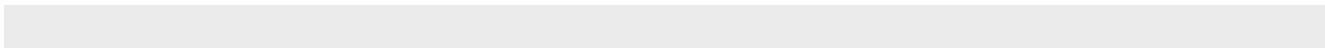
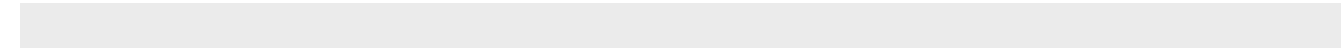
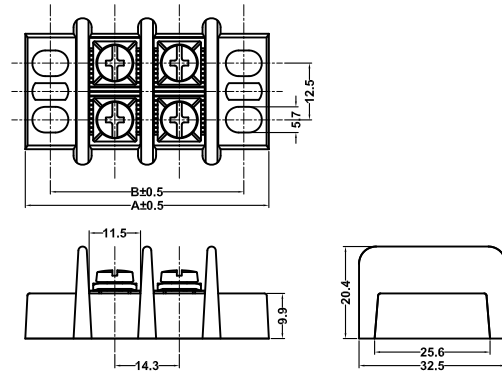
DECA[®]
SwitchLab

TYPE: T68

Pitch:14.30mm

T68-W02H

Screw style:W



Poles	2	3	4	5	6	7	8	9	10	11	12	13	14	15	16
A(mm)	54.10	68.40	82.70	97.00	111.30	125.60	139.90	154.20	168.50	182.80	197.10	211.40	225.70	240.00	254.30
B(mm)	43.00	57.30	71.60	85.90	100.20	114.50	128.80	143.10	157.40	171.70	186.00	200.30	214.60	228.90	243.20
Poles	17	18	19	20	21	22	23	24	25	26	27	28	29	30	
A(mm)	268.60	282.90													
B(mm)	257.50	271.80													