


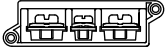

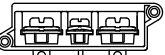
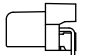
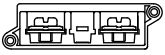
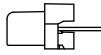


TYPE: TED (貫通式端子台)

Pitch:13.50mm



ORDER GUIDE(注文方法):

TED-3 39 - 03

Body(本体)	Terminal style(端子スタイル)	Poles(極数)
D3本體 (with mounts) 	2D   3D   7D   39  	03

SPECIFICATION(規格,仕様):

Terminal :	Brass, Tin plated, 1.2 t	端子金具 :	黄銅板 ハンダメッキ, 1.2 t
Insulator body :	PBT(UL94V-0), Black	本体 :	PBT(UL94V-0), 黒色
Screw :	M4/M5, steel, Gold plated	端子ネジ :	M4/M5, 鉄ニッケルメッキ
Operation temperatures :	-40° C to +120° C	使用温度範囲 :	-40° C to +120° C
Rated current :	30Amp 24V	定格 :	30Amp 24V
Insulation withstands volt :	2000V 1min	耐電圧 :	2000V 一分間
Insulation resistance :	2000MΩ at DC 500V	絶縁抵抗 :	DC 500V 2000MΩ
Wire range :	14~22 AWG	適合電線 :	14~22 AWG
Screw torque :	18 lb-in	締付トルク :	18 lb-in
	Screw with washer		ワッシャー付ネジ

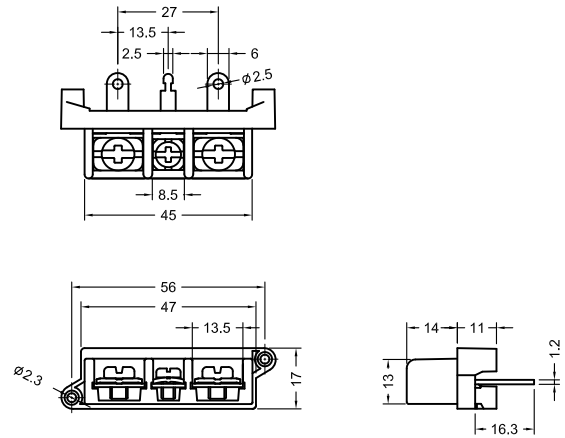
.374" PCB Barrier Terminal Blocks

TYPE: TED

Pitch:13.50mm

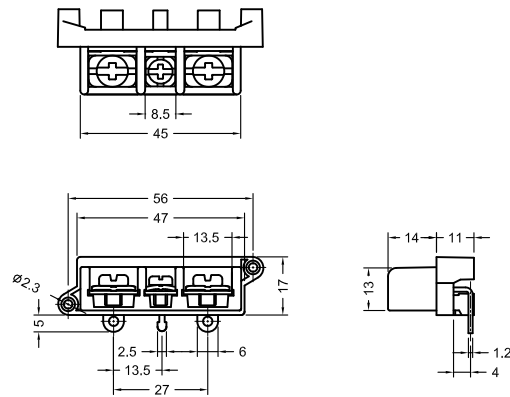
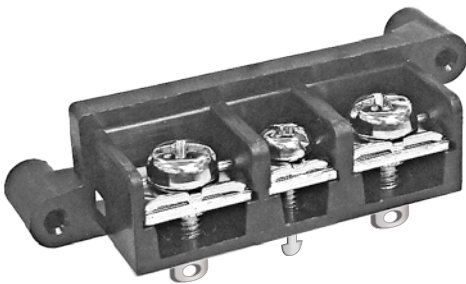
TED-32D-03

Terminal style:2D



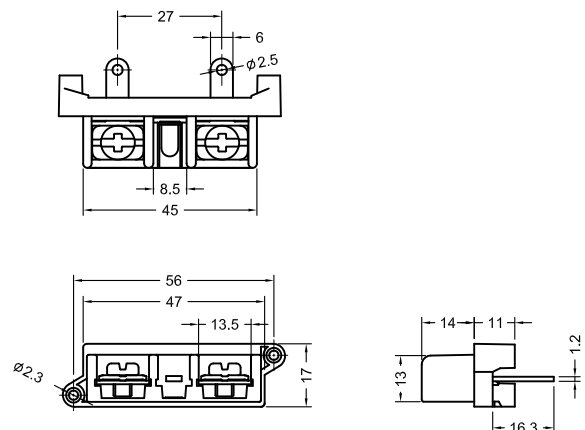
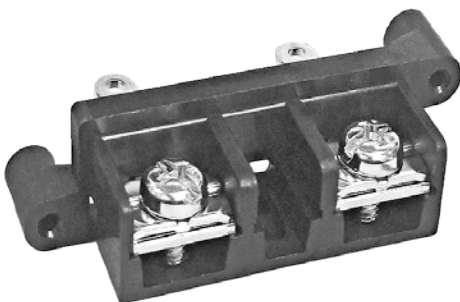
TED-33D-03

Terminal style:3D



TED-37D-03

Terminal style:7D



.374" PCB Barrier Terminal Blocks

DECA[®]
SwitchLab

TYPE: TED

Pitch: 13.50mm

TED-339-03

Terminal style: 39

